

Working Draft Partitioning of ATSC Digital Television Standard (A/53), Revision E: Part 2 – RF/Transmission System Characteristics

Advanced Television Systems Committee

1750 K Street, N.W.
Suite 1200
Washington, D.C. 20006
www.atsc.org

The Advanced Television Systems Committee, Inc., is an international, non-profit organization developing voluntary standards for digital television. The ATSC member organizations represent the broadcast, broadcast equipment, motion picture, consumer electronics, computer, cable, satellite, and semiconductor industries.

Specifically, ATSC is working to coordinate television standards among different communications media focusing on digital television, interactive systems, and broadband multimedia communications. ATSC is also developing digital television implementation strategies and presenting educational seminars on the ATSC standards.

ATSC was formed in 1982 by the member organizations of the Joint Committee on InterSociety Coordination (JCIC): the Electronic Industries Association (EIA), the Institute of Electrical and Electronic Engineers (IEEE), the National Association of Broadcasters (NAB), the National Cable Television Association (NCTA), and the Society of Motion Picture and Television Engineers (SMPTE). Currently, there are approximately 140 members representing the broadcast, broadcast equipment, motion picture, consumer electronics, computer, cable, satellite, and semiconductor industries.

ATSC Digital TV Standards include digital high definition television (HDTV), standard definition television (SDTV), data broadcasting, multichannel surround-sound audio, and satellite direct-to-home broadcasting.

Table of Contents

1.	SCOPE	6
2.	REFERENCES	6
2.1	Normative References	6
2.2	Informative References	6
3.	COMPLIANCE NOTATION	6
4.	ABBREVIATIONS	7
5.	SYSTEM OVERVIEW (INFORMATIVE).....	7
6.	TRANSMISSION CHARACTERISTICS FOR TERRESTRIAL BROADCAST	7
6.1	Overview of Main Service	8
6.2	Overview of Main and Enhanced Service	9
6.3	Data Organization	10
6.4	Channel Error Protection	12
6.4.1	Main Service Data Error Detection and Correction Facility	12
6.4.1.1	Main Service Data Randomizer	12
6.4.1.2	Main Service Reed-Solomon Encoder	13
6.4.1.3	Main Service Interleaving	14
6.4.1.4	Main Service Trellis Coding	15
6.4.2	Main and Enhanced Service Data Error Detection and Correction Facilities	19
6.4.2.1	Enhanced Data Protection	19
6.4.2.1.1	E8-VSB Pre-Processor	20
6.4.2.2	Data Randomizer	23
6.4.2.3	Reed Solomon Encoder	23
6.4.2.4	Data Interleaver	23
6.4.2.5	E8-VSB Convolutional Coder	24
6.4.2.5.1	Enhanced Symbol Processor	24
6.4.2.5.2	Precode Bypass	25
6.4.2.6	Data Byte De-Interleaver	25
6.4.2.7	RS Byte Delete and De-Randomizer	26
6.5	Synchronization	26
6.5.1	Data Segment Sync	26
6.5.2	Data Field Sync	26
6.5.2.1	Definition of the PN511 Sequence	27
6.5.2.2	Definition of the PN63 Sequence	27
6.5.2.3	VSB Mode Bits	28
6.5.2.4	Reserved	29
6.5.2.5	Precode	29
6.5.2.6	Enhancement Signaling	29
6.6	Enhanced Mode Data Rates	29

6.6.1	Enhanced Stream Rate Limits	30
6.7	Enhanced Mode Map Bits	34
6.7.1	Map to Frame Count to Frame Association	35
6.7.2	Generation of Length of 64 Kerdock Codeword	36
6.7.3	Encoding Procedure	37
6.8	Enhanced Data Packing Structure	37
6.8.1	Placement of Enhanced Mode Packets	38
6.8.2	Packing of Enhanced Mode Data Within Packets	39
6.8.3	E-8VSB Enhancement Signaling	40
6.9	Modulation	40
6.9.1	Bit-to-Symbol Mapping	40
6.9.2	Pilot Addition	40
6.9.3	8 VSB Modulation Method	41
7.	TRANSMISSION CHARACTERISTICS FOR HIGH DATA RATE MODE.....	41
7.1	Overview	41
7.2	Channel Error Protection and Synchronization	43
7.2.1	Data Randomizer	43
7.2.2	Reed-Solomon Encoder	43
7.2.3	Interleaving	43
7.2.4	Data Segment Sync	43
7.2.5	Data Field Sync	43
7.3	Modulation	43
7.3.1	Bit-to-Symbol Mapping	43
7.3.2	Pilot Addition	44
7.3.3	16 VSB Modulation Method	44

Index of Tables and Figures

Table 6.1 Interleaving Sequence	17
Table 6.2 Byte to Symbol Conversion, Multiplexing of Trellis Encoders	18
Table 6.3 Steps vs. Map Address	31
Table 6.4a Segments and Payload vs. Step Number- one-half Rate	33
Table 6.4b Segments and Payload vs. Step Number- one-fourth Rate	34
Table 6.5 Map Change Sequence	36
Table 6.6 Enhanced Data Encapsulation	40
Figure 5.1 ITU-R digital terrestrial television broadcasting model.	7
Figure 6.1 Main Service functional block diagram.	8
Figure 6.2 Main and Enhanced Service functional block diagram.	9
Figure 6.3 VSB data frame without extra field sync.	11
Figure 6.4 VSB channel occupancy (nominal).	12
Figure 6.5 Randomizer polynomial.	13
Figure 6.6 Reed-Solomon (207,187) $t=10$ parity generator polynomial.	14
Figure 6.7 Convolutional interleaver (byte shift register illustration).	15
Figure 6.8 Main Service trellis encoder, precoder, and symbol mapper.	16
Figure 6.9 Trellis code interleaver.	17
Figure 6.10 Main and Enhanced Mux Packet Processor.	20
Figure 6.11 E8-VSB pre-processor.	23
Figure 6.12 E8-VSB convolutional coder (12-way interleave/de-interleave).	24
Figure 6.13 Enhanced Symbol Processor.	25
Figure 6.14 8-VSB data segment.	26
Figure 6.15 VSB data field sync.	27
Figure 6.16 Field sync PN sequence generators.	28
Figure 6.17 Nominal VSB system channel response (linear phase raised cosine Nyquist filter).	41
Figure 7.1 16-VSB data segment.	42
Figure 7.2 16-VSB transmitter.	42
Figure 7.3 16-VSB mapper.	43

ATSC Digital Television Standard – Part 2: RF/Transmission System Characteristics

1. SCOPE

This Part describes the characteristics of the RF/Transmission subsystem, which is referred to as the VSB subsystem, of the Digital Television Standard. The VSB subsystem offers two major modulation methods: a terrestrial broadcast method (8-VSB), and a high data rate method (16-VSB). These are described in separate sections of this document.

The 8-VSB modulation method is further defined by a set of required elements and various combinations of optional elements. The set of required elements is called the Main mode. Main service data is protected by the ‘Main’ Forward Error Correction (FEC) system and is sent using mandatory training sequences.

The optional enhancements add additional forward error correction coding layers to the data before sending the data via a constrained version of 8-VSB called Enhanced 8-VSB (E8-VSB). Various coding rate options are defined, and the payload assignment between the Enhanced 8-VSB and the Main Mode data is selectable at discretely defined values.

These Modes shall only be used in the defined combinations.

Accordingly, the 8-VSB transmission system offers optional sub-modes of operation that trade-off data rate for performance. The optional modes facilitate receiver operation in certain propagation conditions, with the degree of additional enhancements selected by the broadcaster with an acceptance of a reduction in the payload of the Main Service. The optional modes are designed to avoid impact on any remaining payload in the Main Service.

2. REFERENCES

2.1 Normative References

- [1] ISO/IEC IS 13818-1:1 2000 (E), International Standard: Information technology – Generic coding of moving pictures and associated audio information: systems.

2.2 Informative References

- [2] ATSC A/110A: “Synchronization Standard for Distributed Transmission,” Advanced Television Systems Committee, Washington, D.C., 14 July 2004.
- [3] SMPTE 310M (1998): “Synchronous Serial Interface for MPEG-2 Digital Transport Stream, Society of Motion Picture and Television Engineers, White Plains, N.Y.
- [4] ATSC A/53-3:2006, Digital Television Standard (A/53), Part 3 - Service Multiplex and Transport Subsystem Characteristics

3. COMPLIANCE NOTATION

As used in this document, “shall” denotes a mandatory provision of the standard. “Should” denotes a provision that is recommended but not mandatory. “May” denotes a feature whose presence does not preclude compliance that may or may not be present at the option of the implementer.

4. ABBREVIATIONS

FEC – forward error correction

MPEG – Moving Pictures Experts Group

MUX – multiplexer

PCR – Program Clock Reference

RS – Reed-Solomon (error correction coding)

VSB – vestigial sideband modulation

5. SYSTEM OVERVIEW (INFORMATIVE)

A basic block diagram representation of the system is shown in Figure 5.1. According to this model, the digital television system can be seen to consist of three subsystems.

- Source coding and compression
- Service multiplex and transport
- RF/transmission

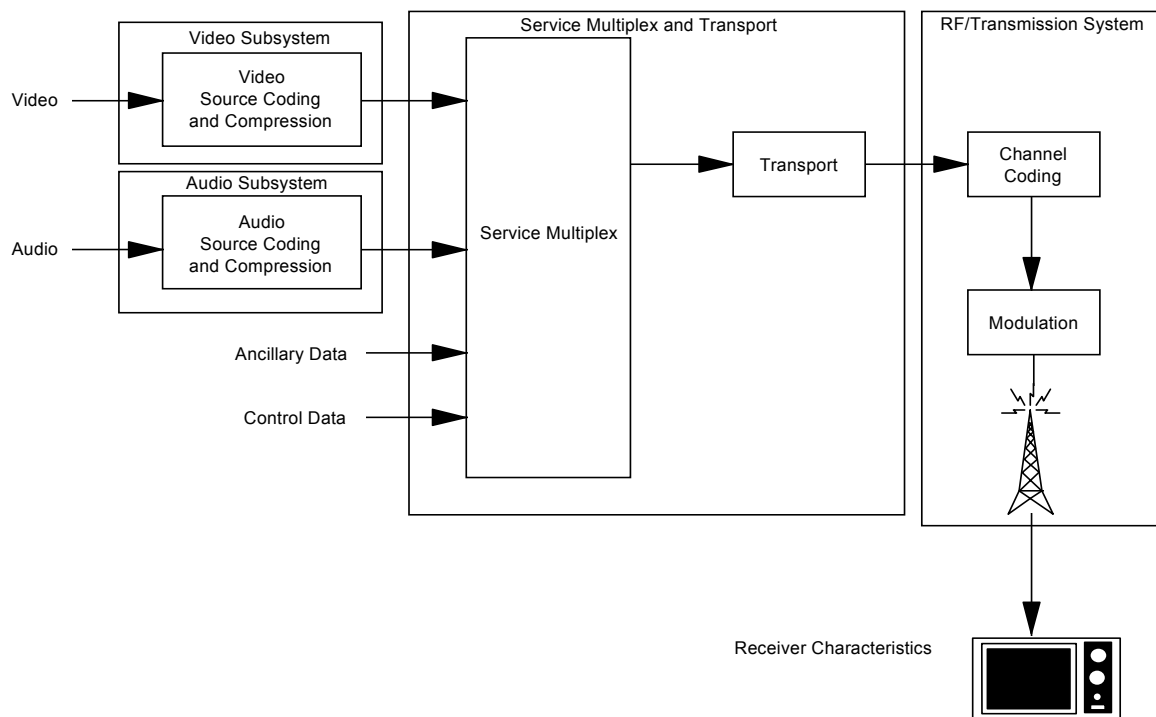


Figure 5.1 ITU-R digital terrestrial television broadcasting model.

This Part documents the requirements for the block labeled “RF/Transmission System” shown in Figure 5.1.

6. TRANSMISSION CHARACTERISTICS FOR TERRESTRIAL BROADCAST

The terrestrial broadcast mode (known as 8-VSB) delivers an MPEG-2 Transport Stream (MPEG-2-TS) of up to 19.39 Mbps in a 6 MHz channel. Two optional modes use higher order

data coding, called Enhanced 8-VSB. Enhanced data modes allow the broadcaster to allocate a portion of the base 19.39 Mbps data rate to Enhanced data transmission. Enhanced data is designed to have higher immunity to certain channel impairments than the Main Service but delivers data at a reduced information rate selected by the broadcaster from the specified options.

6.1 Overview of Main Service

See Figure 6.1¹ for the functional block diagram of the Main Service alone. Incoming data is randomized and then processed for forward error correction (FEC) in the form of Reed-Solomon (RS) coding (20 RS parity bytes are added to each MPEG-2 packet), one-sixth data field interleaving and two-thirds rate trellis coding. The randomization and FEC processes are not applied to the sync byte of the transport packet, which is represented in transmission by a Data Segment Sync signal as described below. Following randomization and forward error correction processing, the data packets are formatted into Data Frames for transmission and Data Segment Sync and Data Field Sync are added.

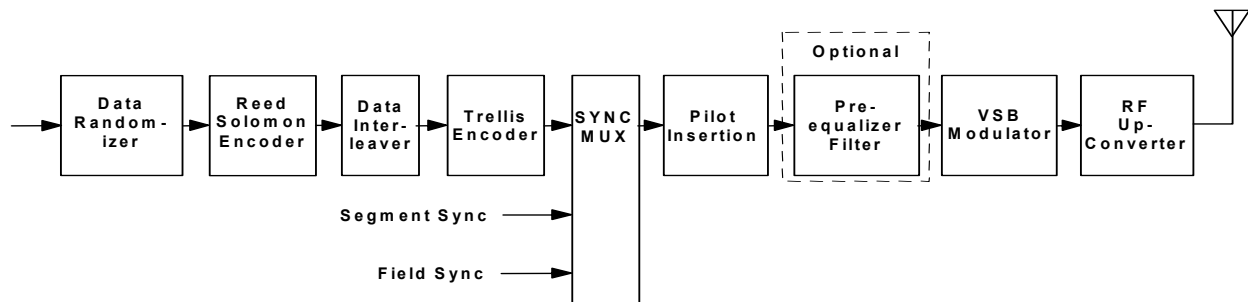


Figure 6.1 Main Service functional block diagram.

¹ Note that the optional pre-equalizer and RF up-converter blocks are implementation dependent and not addressed in this Part.

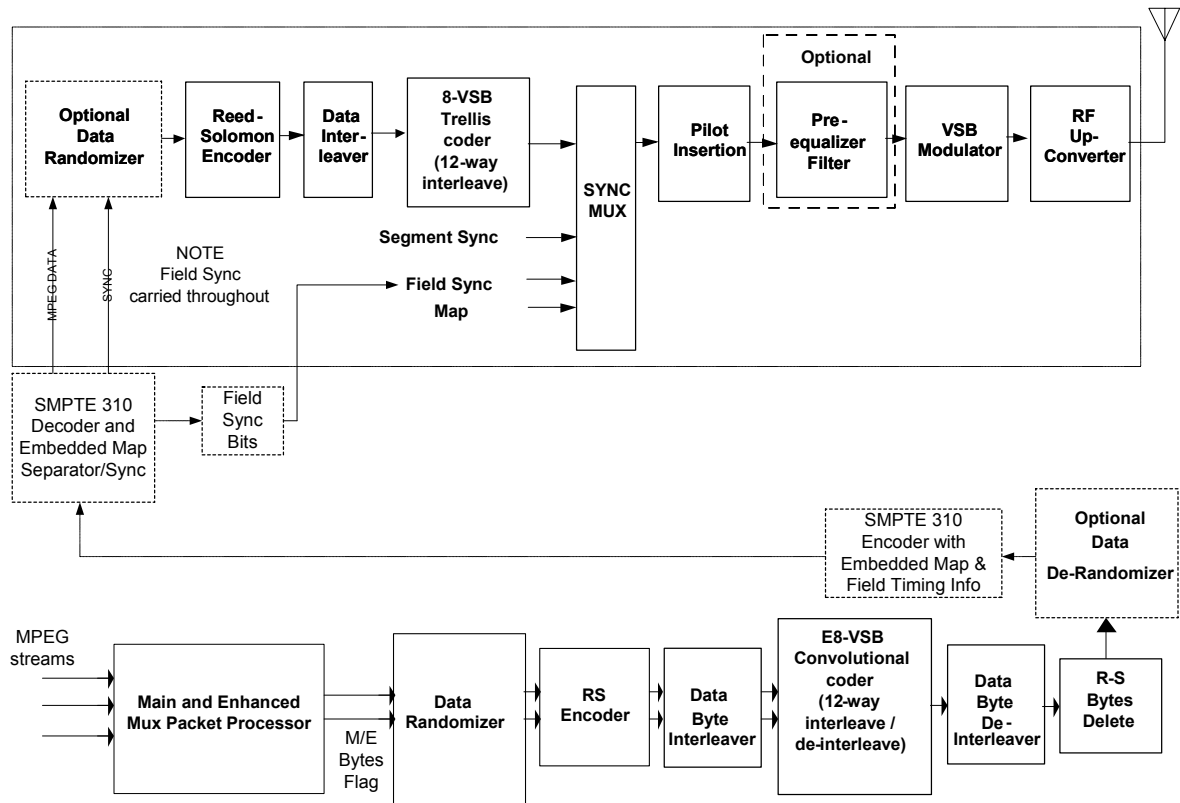


Figure 6.2 Main and Enhanced Service functional block diagram.

6.2 Overview of Main and Enhanced Service

See Figure 6.2 for Enhanced mode alternative functional block diagrams of the 8-VSB transmitter. Transmitting Enhanced 8-VSB (E8-VSB) requires processing as shown in Figure 6.2, Figure 6.10, Figure 6.11, Figure 6.12, and Figure 6.13. The upper row of Figure 6.2 consists of blocks that are common to the transmission of Enhanced streams (containing both Enhanced and Main data) and to the transmission of Main-only streams. The lower two rows contain blocks that are required for Enhanced transmission. Blocks in Figure 6.2 that are optional but that may be used to facilitate particular implementations will be called out in the following discussion.

MPEG-2 streams for Main and Enhanced processing are received at the input (lower left of Figure 6.2). Appropriate buffering for intra-data-field multiplexing is inserted on both the Main and the Enhanced MPEG-2 streams. Enhanced data is sent through the Main and Enhanced Mux Packet Processor as shown. Details of this block are given in Section 6.4.2.1, Figure 6.10 and Figure 6.11. Enhanced data shall be expanded by the ratio of 1:2 (for one-half rate coding) or 1:4 (for one-quarter rate coding) to form place-holder bits for the Enhanced convolutional coding and shall be formatted in MPEG-2 packets that shall be multiplexed with packets from the Main MPEG-2 stream. The order of multiplexing is determined according to the placement of Enhanced data segments in the transmitted data field (see Sections 6.4.2.1.1 and 6.8 below).

All packets and an associated Main/Enhanced flag bit sequence (which indicates whether or not a specific byte is from a Main Service packet) shall pass through a data randomizer, RS

encoder, and byte interleaver that are identical to the ones used for Main-data-only transmission. The data shall then be processed by an E8-VSB convolutional trellis coder, which shall have two modes of operation for the Enhanced and Main data respectively, controlled by the Main/Enhanced (M/E) flag.

The Enhanced convolutional processing, as specified below, shall result in replacement of the placeholder bits in the expanded Enhanced stream packets (including the additional RS FEC data). The symbols at the output of the E8-VSB convolutional coder shall be de-interleaved at the 12:1 trellis level and then at the byte level. The output of this stage is groups of bytes with appended erroneous RS coded parity bytes, due to changes in the symbol data produced by the E8-VSB convolutional trellis coder. The erroneous RS coded parity bytes shall be deleted and replaced by correct bytes generated by the following RS encoder (top row of Figure 6.2). A data de-randomizer /randomizer pair may be inserted at this point to reformulate packets that are transmitted by a SMPTE 310 link.

In case the upper and lower rows of processing in Figure 6.2 are physically separated (as by a SMPTE 310 link [3]), means will be required to transmit the map data and the field sync timing across that link from the multiplexer (lower left of Figure 6.2) to the insertion mux (upper row of Figure 6.2). One such method is covered in ATSC Standard A/110A [2]. If the SMPTE 310 link is used, then the embedded map and synchronization information is decoded and is sent to the transmitter functional blocks as shown in the upper row of Figure 6.2. Data to signal the placement of Enhanced data segments within the data field (“map data”) shall be transmitted during the data field sync segment, as described below (see Section 6.7).

6.3 Data Organization

Figure 6.3 shows how the data are organized for transmission. Each Data Frame consists of two Data Fields, each containing 313 Data Segments. The first Data Segment of each Data Field is a unique synchronizing signal (Data Field Sync) and includes the training sequence used by the equalizer in the receiver. The remaining 312 Data Segments each carry the equivalent of the data from one 188-byte transport packet plus its associated RS-FEC overhead. The actual data in each Data Segment comes from several transport packets because of data interleaving. In the case of E8-VSB transmission, the Enhanced-coded 8-level symbols are dispersed among the normal 8-level symbols due to additional interleaving of Enhanced coding. Each Data Segment consists of 832 symbols. The first 4 symbols are transmitted in binary form and provide segment synchronization. This Data Segment Sync signal also represents the sync byte of the 188-byte MPEG-2-compatible transport packet². The remaining 828 symbols of each Data Segment carry data equivalent to the remaining 187 bytes of a transport packet and its associated RS-FEC overhead. These 828 symbols are transmitted as 8-level signals and therefore carry three bits per symbol. Thus, $828 \times 3 = 2484$ bits of data are carried in each Data Segment, which exactly matches the requirement to send a protected transport packet:

² Note that E8-VSB data includes additional RS coding and additional trellis coding. The packet expansion by a ratio of 1:2 or 1:4 for Rate one-half or one-fourth respectively. Due to this expansion, an MPEG-2 packet that is input to the enhanced stream extends over a non-integral multiple of normal segments before being dispersed by interleaving. The Data Segment Sync is MPEG-2 sync byte of the enhanced payload.

$$187 \text{ data bytes} + 20 \text{ RS parity bytes} = 207 \text{ bytes}$$

$$207 \text{ bytes} \times 8 \text{ bits/byte} = 1656 \text{ bits}$$

Two-thirds rate trellis coding requires $3/2 \times 1656 \text{ bits} = 2484 \text{ bits}$.

The exact symbol rate is given by Equation 1 below:

$$(1) S_r \text{ (MHz)} = 4.5/286 \times 684 = 10.76... \text{ MHz}$$

The frequency of a Data Segment is given in Equation 2 below:

$$(2) f_{\text{seg}} = S_r / 832 = 12.94... \times 10^3 \text{ Data Segments/s.}$$

The Data Frame rate is given by Equation (3) below:

$$(3) f_{\text{frame}} = f_{\text{seg}}/626 = 20.66 ... \text{ frames/s.}$$

The symbol rate S_r and the transport rate T_r^3 shall be locked to each other in frequency.

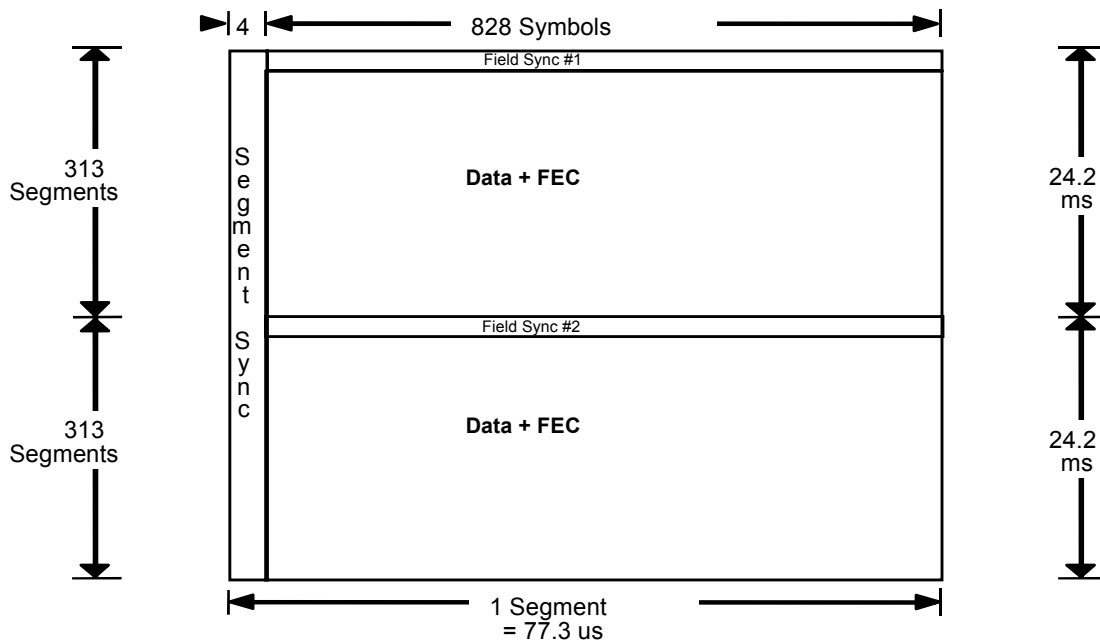


Figure 6.3 VSB data frame without extra field sync.

The 8-level symbols combined with the binary Data Segment Sync and Data Field Sync signals shall be used to suppressed-carrier modulate a single carrier. Before transmission, however, most of the lower sideband shall be removed. The resulting spectrum is flat, except for the band edges where a nominal square root raised cosine response results in 620 kHz transition regions. The nominal VSB transmission spectrum is shown in Figure 6.4.

At the suppressed-carrier frequency, 310 kHz from the nominal lower band edge, a small pilot shall be added to the signal.

³ As described in Part 3 of A/53[4] Section 8.2.

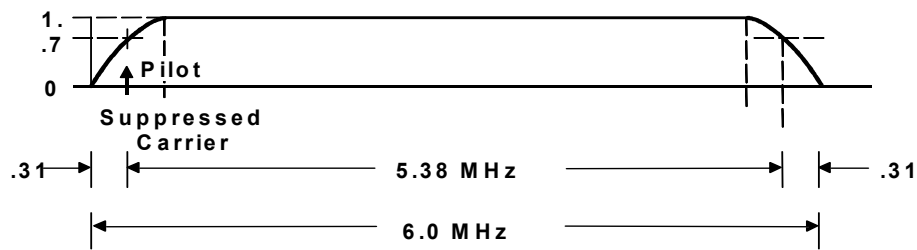


Figure 6.4 VSB channel occupancy (nominal).

6.4 Channel Error Protection

Main channel error protection consists of a concatenated RS encoding, interleaving and 4-state trellis encoding for the Main Service.

As an option, Enhanced modes may be employed. There are two modes available, with choice of levels of error protection within each method defined. These Enhanced modes provide methods to trade off data rate from the Main Service to facilitate reception. For a particular mode choice, the data rate assigned to the mode is variable in pre-defined steps.

There is a set of methods for adding additional forward error correction coding layers to the data before sending the data via a constrained version of 8-VSB. This method is called Enhanced 8-VSB. Various coding rate options are defined, and the payload assignment between the Enhanced 8-VSB data and the Main data is selectable at defined values.

The Main Service channel error protection is specified first, followed by the Enhanced mode.

6.4.1 Main Service Data Error Detection and Correction Facility

6.4.1.1 Main Service Data Randomizer

A data randomizer shall be used on all input data (including an Enhanced stream if present) to randomize the data payload. The data randomizer XORs all the incoming data bytes with a 16-bit maximum length pseudo random binary sequence (PRBS) which is initialized at the beginning of the Data Field. The PRBS is generated in a 16-bit shift register that has 9 feedback taps. Eight of the shift register outputs are selected as the fixed randomizing byte, where each bit from this byte is used to individually XOR the corresponding input data bit. The data bits are XORed MSB to MSB ... LSB to LSB.

The randomizer generator polynomial is as follows:

$$G_{(16)} = X^{16} + X^{13} + X^{12} + X^{11} + X^7 + X^6 + X^3 + X + 1$$

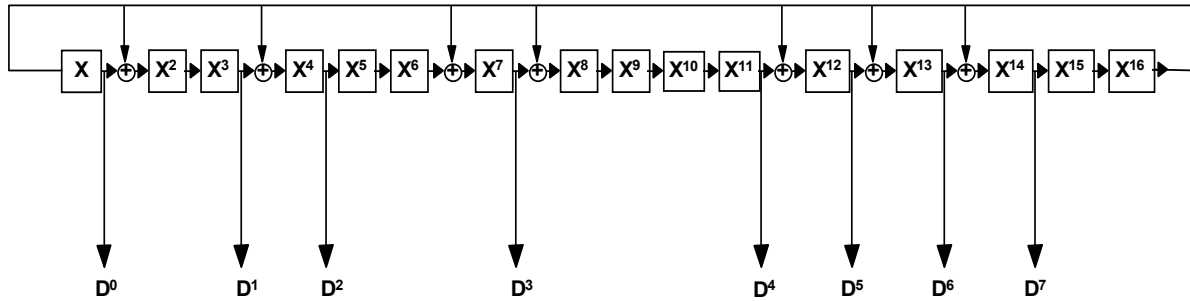
The initialization (pre-load) to F180 hex (load to 1) occurs during the Data Segment Sync interval prior to the first Data Segment.

The randomizer generator polynomial and initialization is shown in Figure 6.5.

Generator Polynomial $G_{(16)} = X^{16} + X^{13} + X^{12} + X^{11} + X^7 + X^6 + X^3 + X + 1$

The initialization (pre load) occurs during the field sync interval

Initialization to F180 hex (Load to 1)
 $X^{16} X^{15} X^{14} X^{13} X^9 X^8$



The generator is shifted with the Byte Clock and one 8 bit Byte of data is extracted per cycle.

Figure 6.5 Randomizer polynomial.

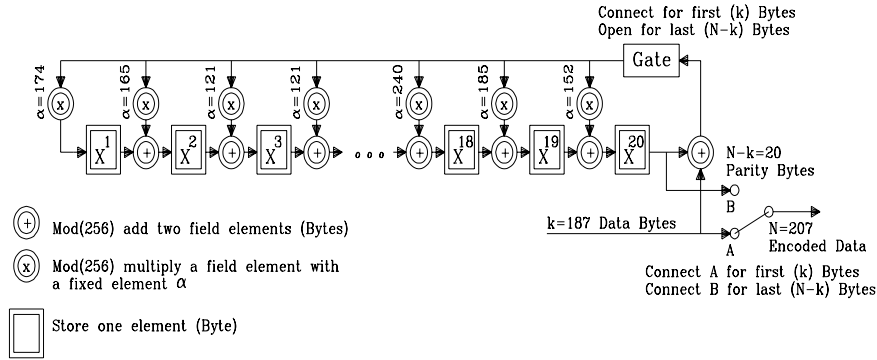
6.4.1.2 Main Service Reed-Solomon Encoder

The randomizer output is the input for the RS Encoder. The RS code used in the VSB transmission subsystem shall be a $t = 10$ (207,187) code. The RS data block size is 187 bytes, with 20 RS parity bytes added for error correction. A total RS block size of 207 bytes is transmitted per Data Segment.

In creating bytes from the serial bit stream, the MSB shall be the first serial bit. The 20 RS parity bytes shall be sent at the end of the Data Segment. The parity generator polynomial and the primitive field generator polynomial are shown in Figure 6.6.

$$\prod_{i=0}^{i=2t-1} (X + \alpha^i) = X^{20} + X^{19}\alpha^{17} + X^{18}\alpha^{60} + X^{17}\alpha^{79} + X^{16}\alpha^{50} + X^{15}\alpha^{61} + X^{14}\alpha^{163} + X^{13}\alpha^{26} + X^{12}\alpha^{187} + X^{11}\alpha^{202} + X^{10}\alpha^{180} + X^9\alpha^{221} + X^8\alpha^{225} + X^7\alpha^{83} + X^6\alpha^{239} + X^5\alpha^{156} + X^4\alpha^{164} + X^3\alpha^{212} + X^2\alpha^{212} + X^1\alpha^{188} + \alpha^{190}$$

$$= X^{20} + 152X^{19} + 185X^{18} + 240X^{17} + 5X^{16} + 111X^{15} + 99X^{14} + 6X^{13} + 220X^{12} + 112X^{11} + 150X^{10} + 69X^9 + 36X^8 + 187X^7 + 22X^6 + 228X^5 + 198X^4 + 121X^3 + 121X^2 + 165X + 174$$



Primitive Field Generator Polynomial (Galois Field)

$$G(256) = X^8 + X^4 + X^3 + X^2 + 1$$

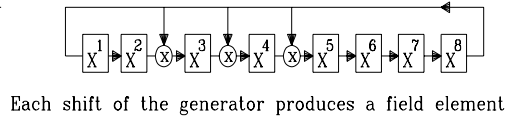


Figure 6.6 Reed-Solomon (207,187) t=10 parity generator polynomial.

6.4.1.3 Main Service Interleaving

The interleaver employed in the VSB transmission system shall be a 52 data segment (intersegment) convolutional byte interleaver. Interleaving is provided to a depth of about one-sixth of a data field (4 ms deep). Only data bytes (including the RS parity bytes) shall be interleaved. The interleaver shall be synchronized to the first data byte of the data field. Intra-segment interleaving is also performed for the benefit of the trellis coding process. The convolutional interleaver is shown in Figure 6.7.

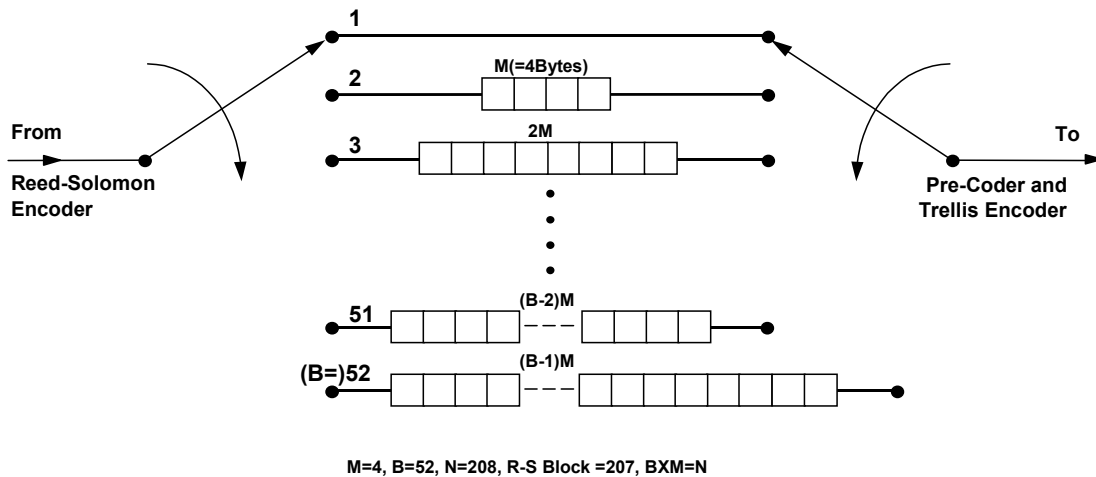


Figure 6.7 Convolutional interleaver (byte shift register illustration).

6.4.1.4 Main Service Trellis Coding

The 8 VSB transmission sub-system shall employ a two-thirds rate ($R=2/3$) trellis code (with one unencoded bit which is precoded). That is, one input bit is encoded into two output bits using a one-half rate convolutional code while the other input bit is precoded. The signaling waveform used with the trellis code is an 8-level (3 bit) one-dimensional constellation. The transmitted signal is referred to as 8-VSB. A 4-state trellis encoder shall be used.

Trellis code intrasegment interleaving shall be used. This uses twelve identical trellis encoders and precoders operating on interleaved data symbols. The code interleaving is accomplished by encoding symbols (0, 12, 24, 36 ...) as one group, symbols (1, 13, 25, 37, ...) as a second group, symbols (2, 14, 26, 38, ...) as a third group, and so on for a total of 12 groups.

In creating serial bits from parallel bytes, the MSB shall be sent out first: (7, 6, 5, 4, 3, 2, 1, 0). The MSB is precoded (7, 5, 3, 1) and the LSB is feedback convolutional encoded (6, 4, 2, 0). Standard 4-state optimal Ungerboeck codes shall be used for the encoding. The trellis code utilizes the 4-state feedback encoder shown in Figure 6.8. Also shown is the precoder and the symbol mapper. The trellis code and precoder intrasegment interleaver is shown in Figure 6.9 which feeds the mapper detailed in Figure 6.8. Referring to Figure 6.9, data bytes are fed from the byte interleaver to the trellis coder and precoder, and they are processed as whole bytes by each of the twelve encoders. Each byte produces four symbols from a single encoder.

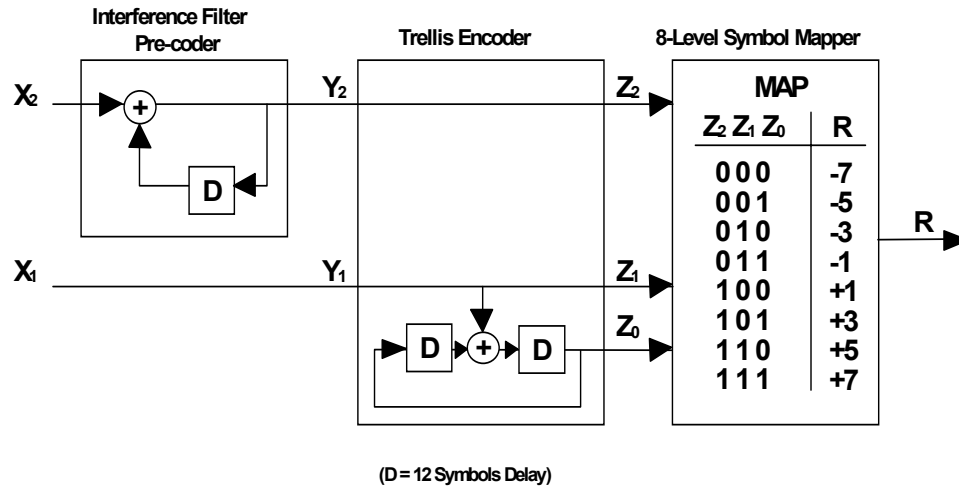


Figure 6.8 Main Service trellis encoder, precoder, and symbol mapper.

The output multiplexer shown (as the right circle) in Figure 6.9 shall advance by four symbols on each segment boundary. However, the state of the trellis encoder shall not be advanced. The data coming out of the multiplexer shall follow normal ordering from encoder 0 through 11 for the first segment of the frame, but on the second segment the order changes and symbols are read from encoders 4 through 11, and then 0 through 3. The third segment reads from encoder 8 through 11 and then 0 through 7. This three-segment pattern shall repeat through the 312 Data Segments of the frame. Table 6.1 shows the interleaving sequence for the first three Data Segments of the frame.

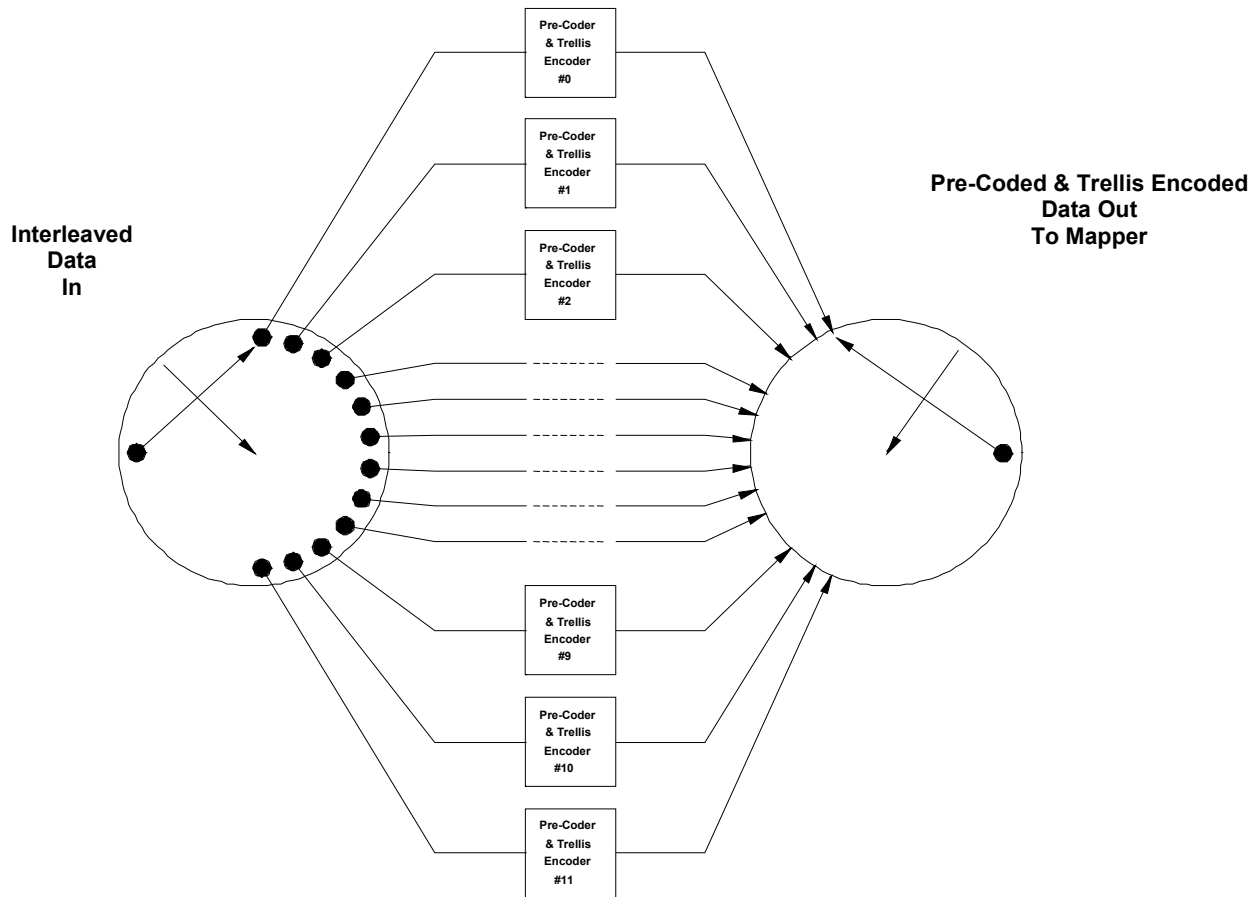


Figure 6.9 Trellis code interleaver.

After the Data Segment Sync is inserted, the ordering of the data symbols is such that symbols from each encoder occur at a spacing of twelve symbols.

Table 6.1 Interleaving Sequence

Segment	Block 0	Block 1	...	Block 68
0	D0 D1 D2 ... D11	D0 D1 D2 ... D11	...	D0 D1 D2 ... D11
1	D4 D5 D6 ... D3	D4 D5 D6 ... D3	...	D4 D5 D6 ... D3
2	D8 D9 D10 ... D7	D8 D9 D10 ... D7	...	D8 D9 D10 ... D7

A complete conversion of parallel bytes to serial bits needs 828 bytes to produce 6624 bits. Data symbols are created from 2 bits sent in MSB order, so a complete conversion operation yields 3312 data symbols, which corresponds to 4 segments of 828 data symbols. 3312 data symbols divided by 12 trellis encoders gives 276 symbols per trellis encoder. 276 symbols divided by 4 symbols per byte gives 69 bytes per trellis encoder.

The conversion starts with the first segment of the field and proceeds with groups of 4 segments until the end of the field. 312 segments per field divided by 4 gives 78 conversion operations per field.

Allowing for segment sync the input to 4 encoders is skipped but the encoders cycle with no input. The input is held until the next multiplex cycle and then fed to the correct encoder.

Table 6.2 details the byte to symbol conversion and the associated multiplexing of the trellis encoders. Segment 0 is the first segment of the field. The pattern repeats every 12 segments; segments 5 through 11 are not shown.

Table 6.2 Byte to Symbol Conversion, Multiplexing of Trellis Encoders

Symbol	Segment 0			Segment 1			Segment 2			Segment 3			Segment 4		
	Trellis	Byte	Bits	Trellis	Byte	Bits	Trellis	Byte	Bits	Trellis	Byte	Bits	Trellis	Byte	Bits
0	0	0	7,6	4	208	5,4	8	412	3,2	0	616	1,0	4	828	7,6
1	1	1	7,6	5	209	5,4	9	413	3,2	1	617	1,0	5	829	7,6
2	2	2	7,6	6	210	5,4	10	414	3,2	2	618	1,0	6	830	7,6
3	3	3	7,6	7	211	5,4	11	415	3,2	3	619	1,0
4	4	4	7,6	8	212	5,4	0	416	3,2	4	620	1,0
5	5	5	7,6	9	213	5,4	1	417	3,2	5	621	1,0
6	6	6	7,6	10	214	5,4	2	418	3,2	6	622	1,0
7	7	7	7,6	11	215	5,4	3	419	3,2	7	623	1,0
8	8	8	7,6	0	204	5,4	4	408	3,2	8	612	1,0
9	9	9	7,6	1	205	5,4	5	409	3,2	9	613	1,0
10	10	10	7,6	2	206	5,4	6	410	3,2	10	614	1,0
11	11	11	7,6	3	207	5,4	7	411	3,2	11	615	1,0
12	0	0	5,4	4	208	3,2	8	412	1,0	0	624	7,6
13	1	1	5,4	5	209	3,2	9	413	1,0	1	625	7,6
...
19	7	7	5,4	11	215	3,2	3	419	1,0	7	631	7,6
20	8	8	5,4	0	204	3,2	4	408	1,0	8	632	7,6
21	9	9	5,4	1	205	3,2	5	409	1,0	9	633	7,6
22	10	10	5,4	2	206	3,2	6	410	1,0	10	634	7,6
23	11	11	5,4	3	207	3,2	7	411	1,0	11	635	7,6
24	0	0	3,2	4	208	1,0	8	420	7,6	0	624	5,4
25	1	1	3,2	5	209	1,0	9	421	7,6	1	625	5,4
...
31	7	7	3,2	11	215	1,0	3	427	7,6
32	8	8	3,2	0	204	1,0	4	428	7,6
33	9	9	3,2	1	205	1,0	5	429	7,6
34	10	10	3,2	2	206	1,0	6	430	7,6
35	11	11	3,2	3	207	1,0	7	431	7,6
36	0	0	1,0	4	216	7,6	8	420	5,4
37	1	1	1,0	5	217	7,6	9	421	5,4
...
47	11	11	1,0	3	227	7,6
48	0	12	7,6	4	216	5,4
49	1	13	7,6	5	217	5,4
...
95	11	23	1,0

96	0	24	7,6
97	1	25	7,6
...
767	11	191	1,0
768	0	192	7,6
769	1	193	7,6
...
815	11	203	1,0	3	419	7,6	7	623	5,4	11	827	3,2
816	0	204	7,6	4	408	5,4	8	612	3,2	0	816	1,0
817	1	205	7,6	5	409	5,4	9	613	3,2	1	817	1,0
...
827	11	215	7,6	3	419	5,4	7	623	3,2	11	827	1,0

6.4.2 Main and Enhanced Service Data Error Detection and Correction Facilities

When Enhanced Services are enabled (see Figure 6.2), the processing steps for both Main Service data and Enhanced Service data are somewhat different than for Main Service data alone. The requirements for the RF transmission system with Enhanced data capability are specified herein.

6.4.2.1 Enhanced Data Protection

Enhanced data is protected by a concatenated FEC comprised by an additional FEC (applied to the Enhanced Service) and by the Main FEC. Enhanced channel error protection uses an additional interleaver (Enhanced interleaver), an additional Reed Solomon encoding scheme (Enhanced RS encoding), an additional convolutional interleaver (Enhanced convolutional interleaver), and an additional 4-state convolutional encoder (Enhanced convolutional encoder). The Enhanced data and Enhanced RS parity bytes are encapsulated within the transport level payload portion of an MPEG-2 Packet. The Enhanced 4-state convolutional encoder is concatenated and synchronized with the Main trellis 4-state encoding to produce an effective 16-state trellis encoder for the Enhanced data. Enhanced FEC offers two encoding modes defined as one-half rate and one-quarter rate E8-VSB modes. The following sections establish requirements for each functional block of the Enhanced FEC shown in Figure 6. 2

The input to the preprocessor shall be 188-byte MPEG-2 packets.

The data intended to be encoded by the Main and Enhanced FEC is split into a maximum of three parallel streams. Each stream is associated with a Main, an Enhanced one-half rate, or an Enhanced one-quarter rate FEC mode status.

Appropriate buffering is inserted in both the Main and the Enhanced MPEG-2 streams, and Enhanced data is sent through the E8-VSB Pre-Processor. Enhanced data shall be Reed Solomon encoded, and each byte shall be expanded by the ratio of 1:2 (for one-half rate coding) or 1:4 (for one-quarter rate coding) to form place-holder bits for the 4-state Enhanced convolutional coding. The expanded bytes shall be formatted in MPEG-2 compliant packets, which shall be multiplexed with packets from the Main MPEG-2 stream (Main Service).

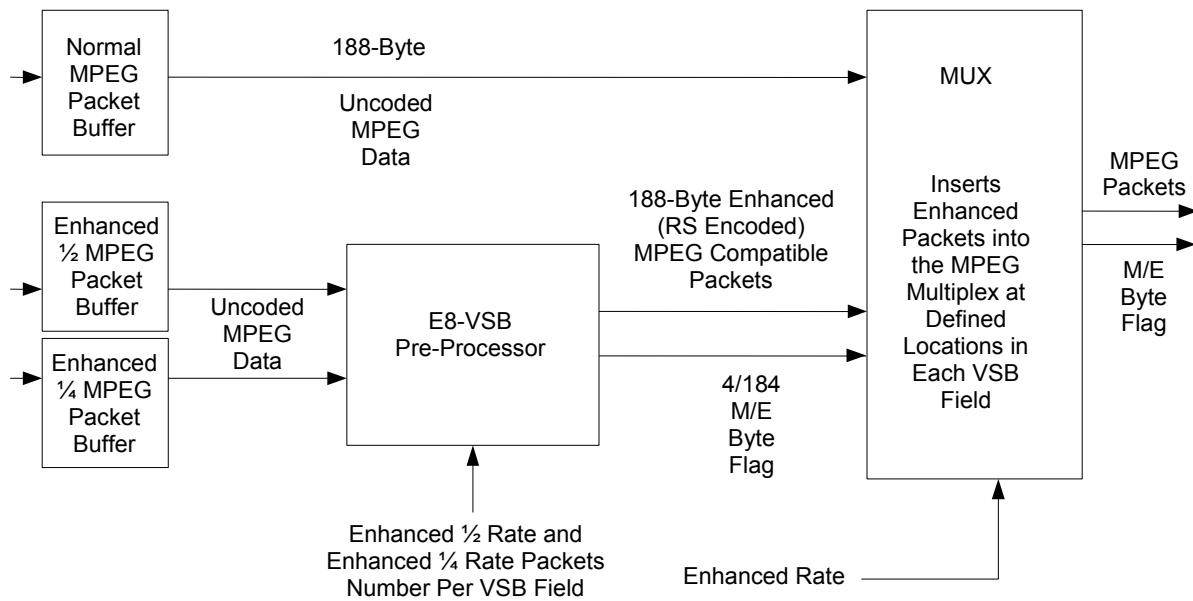


Figure 6.10 Main and Enhanced Mux Packet Processor.

6.4.2.1.1 E8-VSB Pre-Processor

6.4.2.1.1.1 164-Byte Packet Converter

The data intended to be encoded with either the one-half rate Enhanced FEC or the one-quarter rate Enhanced FEC shall be processed by the packet converter, which shall organize the 188-byte MPEG-2 data input into 164-byte packets.

6.4.2.1.1.2 Enhanced One-Half Rate and One-Quarter Rate Packet Multiplexer

The payload of the Enhanced data, comprised of one-half rate and one-quarter rate 164-byte packets to be transmitted in a VSB field, is specified by the E-VSB map and is constant for a group of sixteen VSB frames (see Section 6.7).

The one-half rate and one-quarter rate 164-byte packets corresponding to the Enhanced payload carried by a VSB frame are packed in a buffer prior to being sent to the RS encoder. The maximum number of 164-byte packets allowed for the Enhanced one-half rate mode is 156. The maximum number of 164-byte packets allowed for the Enhanced one-quarter rate mode is 78. The maximum buffer depth shall be 156.

Placement of the one-half rate and one-quarter rate 164-byte packets shall occur at specific locations in the multiplexing buffer. The location of the Enhanced 164-byte packet in the Enhanced multiplexer buffer shall be defined as follows:

- When the 10th bit of the 12-bit payload of the E-VSB map (starting from the leftmost bit) is set to '1', the 164-byte packets will alternate between one-half rate and one-quarter rate packets until the number of Enhanced 164-byte packets intended to be carried by the 8-VSB field is reached. The first Enhanced packet processed by the RS encoder shall be the first one-half rate packet (if one-half rate packets are present) incoming to the buffer multiplexer.
- When the 10th bit is set to '0', the one-half rate and the one-fourth rate 164-byte packets shall be grouped together. The buffer shall be segmented into two parts. The first part of

the buffer shall contain, consecutively, all of the one-half rate 164-byte packets, and the second part of the buffer shall contain, consecutively, all of the one-fourth rate 164-byte packets. The first packet processed by the RS encoder shall be the first one-half rate packet (if one-half rate packets are present) incoming to the buffer multiplexer.

Each PCR [1] shall be adjusted to accommodate the actual MPEG-2 Transport Stream packet [1] delivery time.

Additionally, the Enhanced multiplexer buffer shall carry an H/Q flag, which shall identify the nature of each 164-byte packet. This H/Q flag shall have two states: “H” for one-half rate and “Q” for one-fourth rate.

6.4.2.1.1.3 Enhanced RS

The first function after the segment multiplexer shall be an encoding of the 164-byte packets of data to be sent via this enhanced means by an RS encoder with parameters $t = 10$ (184,164). The Primitive Field Generating Polynomial shall be the same as that specified in Figure 6.6, which is also used for the Main RS encoder. The RS encoder will pass through the H/Q flag generated by the previous block and shall extend it to the parity bytes generated by the RS encoder.

6.4.2.1.1.4 Enhanced Data Interleaver

The interleaver is mainly intended to provide additional protection against burst noise and bursty errors produced by channel degradations. The Enhanced RS encoder shall be followed by an Enhanced data interleaver that shall perform a convolutional byte interleave with parameters $B=46$, $M=4$, $N=184$. The Enhanced interleaver shall make multiple complete revolutions per data field for all Enhanced data code rates. It shall start at the top (zero delay) row in the same manner as the Main byte interleaver. The interleaver for all mix percentages of Enhanced data shall introduce a constant delay to an MPEG-2 transport stream. The conceptual structure may be seen in Figure 6.7. The data interleaver shall carry the H/Q flag generated during the operation of buffer multiplexing of the 164-byte packets. The H/Q flag shall remain in time synchronization with each byte it describes.

6.4.2.1.1.5 Enhanced Bytes Expansion and Addition of MPEG-2 Header

Each byte associated with the Enhanced one-half rate FEC mode is expanded into two bytes. The expansion of the one-half rate byte is as specified below.

Original Enhanced Byte	Expanded Enhanced Byte (E7,E6,E5,E4,E3,E2,E1,E0)	Expanded Byte Number
(R7,R6,R5,R4,R3,R2,R1,R0)	(R7,X,R6,X,R5,X,R4,X)	1
	(R3,X,R2,X,R1,X,R0,X)	0

Each byte associated with the Enhanced one-fourth rate FEC mode is expanded into four bytes. The expansion of the one-fourth rate byte is as specified below.

Original Enhanced Byte	Expanded Enhanced Byte (E7,E6,E5,E4,E3,E2,E1,E0)	Expanded Byte Number
(R7,R6,R5,R4,R3,R2,R1,R0)	(R7,X,R7,X,R6,X,R6,X)	3
	(R5,X,R5,X,R4,X,R4,X)	2
	(R3,X,R3,X,R2,X,R2,X)	1
	(R1,X,R1,X,R0,X,R0,X)	0

The bits R7 through R0 of the original one-half rate and one-fourth rate bytes are respectively mapped into two and four Enhanced bytes. The bits E7 through E0 are bit positions in the subsequently expanded byte. The “X” in the expanded bytes denotes a placeholder and may be coded by 0.

For the rate one-half, the expanded byte number “0” shall represent the LSB byte and the byte number “1” shall represent the MSB byte. For the rate one-fourth, the expanded byte number “0” shall represent the LSB byte of the 4 bytes word, and the expanded byte number “3” shall represent the MSB byte. For both the one-half rate and one-fourth rate the original byte replacement shall start with the MSB byte of respectively the two and four expanded bytes.

The expanded bytes are formatted into 184-byte segments. Each reconstructed 184-byte segment packet may consist of both one-half rate and one-fourth rate expanded Enhanced bytes.

For the purpose for maintaining strict backward compatibility for existing receivers, 188-byte packets that contain Enhanced encoded data are composed of a 0x47 Sync byte, followed by 3 bytes as defined by [1] that contain the null packet designation (PID = 0x1FFF), and the 184-byte enhanced segment

The encapsulated Enhanced RS encoding (184,164) in the E8-VSB Pre-Processor reduces the effective payload of these packets by an additional 20 bytes to 164.

After the introduction of the header bytes, the H/Q flag carried through the previous blocks is dropped. Another flag, called the M/E flag, is used and shall be in the Enhanced state when Enhanced bytes are clocked out of the E8-VSB Pre-Processor and shall be in the Main state when the 4-byte MPEG-2 header is clocked out of the E8-VSB Pre-Processor.

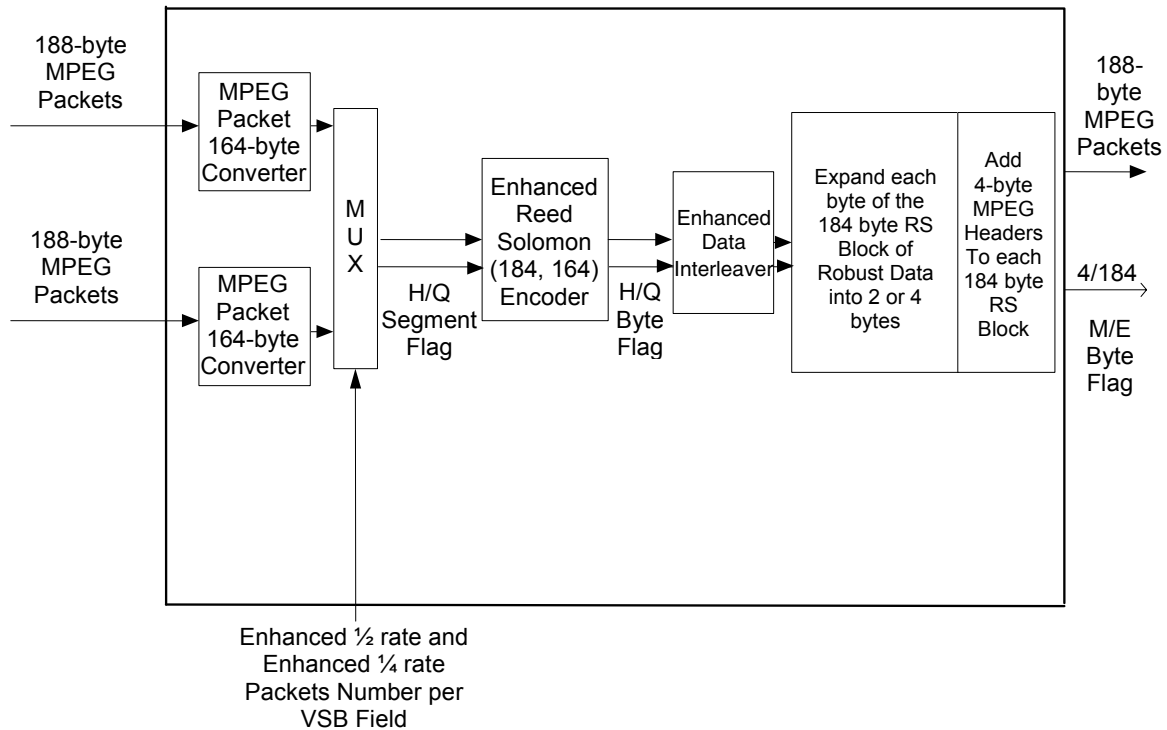


Figure 6.11 E8-VSB pre-processor.

6.4.2.2 Data Randomizer

The data byte processing shall be per Section 6.4.1.1, and the M/E flag shall not be modified and shall remain in time synchronization with each byte it describes. The value shall change state on byte boundaries when the associated byte belongs to a different class of bytes. The M/E flag shall be in the Main state when the bytes correspond to either the Main MPEG-2 packets or to the 4-byte header of the Enhanced MPEG-2 compliant packets. The M/E flag shall be in the Enhanced state when the bytes correspond to the payload of the reconstructed Enhanced MPEG-2 packets.

6.4.2.3 Reed Solomon Encoder

All bytes output from the data randomizer shall be sent to the RS encoder. The data byte processing shall be as specified in Section 6.4.1.2, and the M/E flag shall be maintained as Enhanced for the 184 Enhanced bytes and shall be set to Main for all other bytes. All RS parity bytes are Main mode bytes and shall have their flags associated to their Main states.

6.4.2.4 Data Interleaver

The output of the Reed-Solomon Encoder, including both Main Service data and robust data, shall be interleaved by a convolutional data byte interleaver. This data interleaver shall have the same parameters as a Main-Service-only interleaver, as specified in Section 6.4.1.3. In addition, the Main/Enhanced (M/E) control signal from the Reed-Solomon Encoder (which changes state on byte boundaries) shall be interleaved using the same parameters as the data, so that the output M/E control signal shall correctly indicate the M/E type of each data byte output from the interleaver.

6.4.2.5 E8-VSB Convolutional Coder

The E8-VSB convolutional coder is comprised of a symbol interleaver, an Enhanced symbol processor, and a symbol de-interleaver. The symbol interleaver corresponds to the 12-way Trellis code interleaving described in Section 6.4.1.4. The M/E flag shall also go through the same interleaving as the symbol interleaver. The symbol de-interleaver shall be the inverse of the earlier described symbol interleaver, with the exception of the M/E flag, which is not passed through.

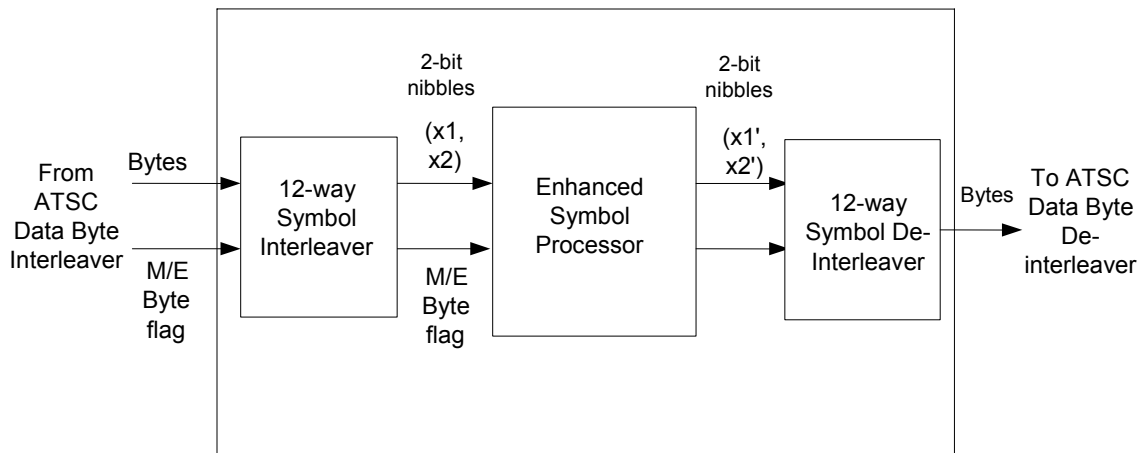


Figure 6.12 E8-VSB convolutional coder (12-way interleave/de-interleave).

6.4.2.5.1 Enhanced Symbol Processor

For reference, in the Main transmission mode, each of the 12 parallel trellis encoders receive and encode a byte of data from the Main interleaver in the following order: (7,6,5,4,3,2,1,0), where 7 is the MSB and 0 is the LSB.

The Enhanced symbol Processor contains the convolutional encoder with a 4-state feedback. The convolutional encoder process the incoming bytes by group of 2-bit nibbles. The convolutional code is the same as that for the normal trellis encoder, as illustrated in Figure 6.9. Referring to Figure 6.13, for all Enhanced transmission modes, the M/E flag selects the Enhanced input (“E”) to the illustrated lower three muxes to perform convolutional encoding of the X2 bit to produce the X2’ bit. For the Main mode of transmission, the control line selects the Main input (“N”) of the muxes to hold the convolutional encoder in its current state and to derive the X1’ bit directly from the X1 bit.

For normal bytes the four groups of 2-bit nibbles associated with one of the 12-convolutional encoders are passed through, and the states of the encoder are updated. For Enhanced bytes, bits in positions E7, E5, E3, and E1 are encoded by the systematic convolutional encoder. Bits in positions E6, E4, E2, and E0 are not processed. Placeholder of the four groups of 2-bit nibbles are replaced with the encoded X1’ bit.

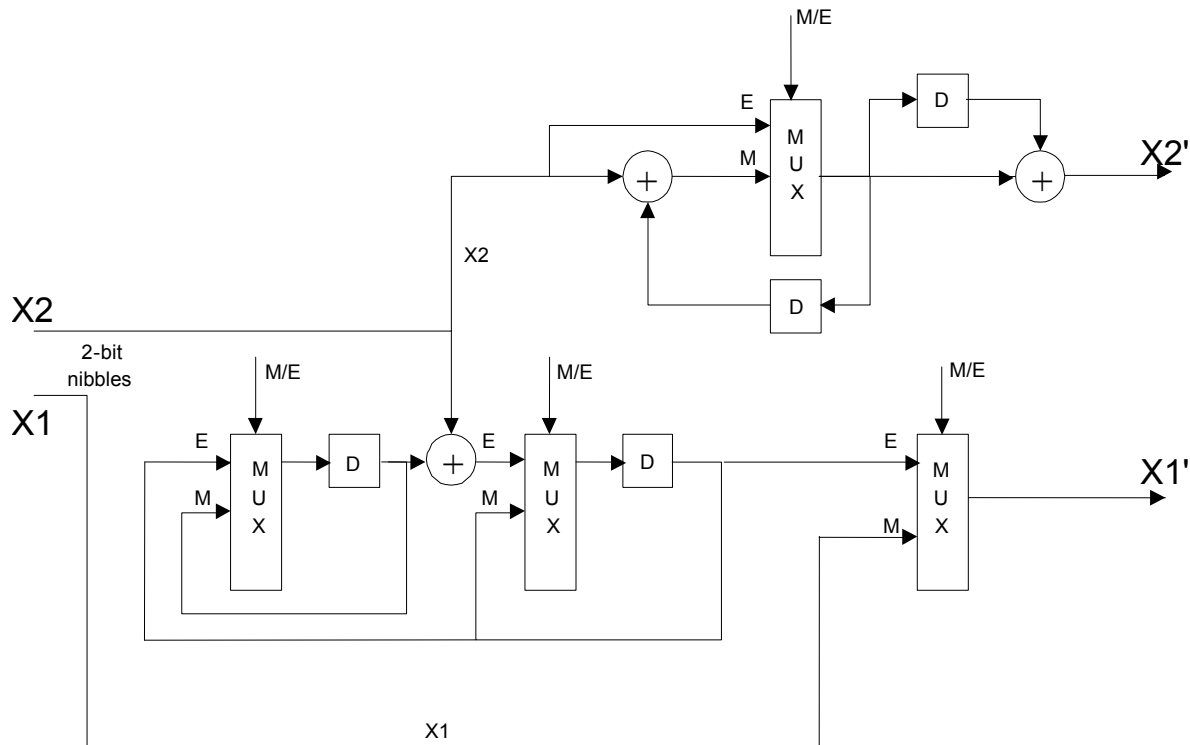


Figure 6.13 Enhanced Symbol Processor.

6.4.2.5.2 Precode Bypass

The upper portion of Figure 6.13 illustrates the operation of the Precoder Bypass in the Enhanced symbol processor. The function of the Precoder Bypass is to produce a systematic trellis code for the Enhanced data (when the Enhanced convolutional encoder is concatenated with the normal trellis encoder), where Z_2 is the information bit, Z_1 is the output of the Enhanced convolutional encoder and derived from X_1' .

For all robust transmission modes, the M/E flag selects the “E” input to the uppermost mux. The resulting X_2' bit shown is then the derivative of the X_2 bit. Upon subsequent Interference Filter Precoding, as depicted in Figure 6.8, the resulting Z_2 bit produced is identical to the X_2 bit in Figure 6.13. For the Main mode of transmission, the “M” input to the uppermost mux is selected, and the X_2 bit is integrated and subsequently differentiated, therefore making the X_2' bit identical to the X_2 bit. Upon subsequent Interference Filter Precoding, the Y_2 bit is achieved for the Main mode of transmission.

The normally encoded RS parity bytes of the Enhanced packets can introduce a phase inversion that produces an inverted systematic trellis code for the Enhanced data. Appropriate decoding of the Enhanced data depends on the Enhanced data trellis decoder’s capability to decode either phase.

6.4.2.6 Data Byte De-Interleaver

The data byte de-interleaver is the inverse function of the Main convolutional interleaver.

6.4.2.7 RS Byte Delete and De-Randomizer

The RS parity bytes are removed and a de-randomizer, which is the inverse function of the Main randomizer, is applied to each byte of the 188-byte segment.

6.5 Synchronization

This section defines synchronization for data segments and fields.

6.5.1 Data Segment Sync

The encoded trellis data shall be passed through a multiplexer that inserts the various synchronization signals (Data Segment Sync and Data Field Sync).

A two-level (binary) 4-symbol Data Segment Sync shall be inserted into the 8-level digital data stream at the beginning of each Data Segment. (The MPEG-2 sync byte shall be replaced by Data Segment Sync.) The Data Segment Sync embedded in random data is illustrated in Figure 6.14.

A complete segment shall consist of 832 symbols: 4 symbols for Data Segment Sync, and 828 data plus parity symbols. The Data Segment Sync is binary (2-level). The same sync pattern occurs regularly at 77.3 μ s intervals, and is the only signal repeating at this rate. Unlike the data, the four symbols for Data Segment Sync are not Reed-Solomon or trellis encoded, nor are they interleaved. The Data Segment Sync pattern shall be a '1001' pattern, as shown in Figure 6.14.

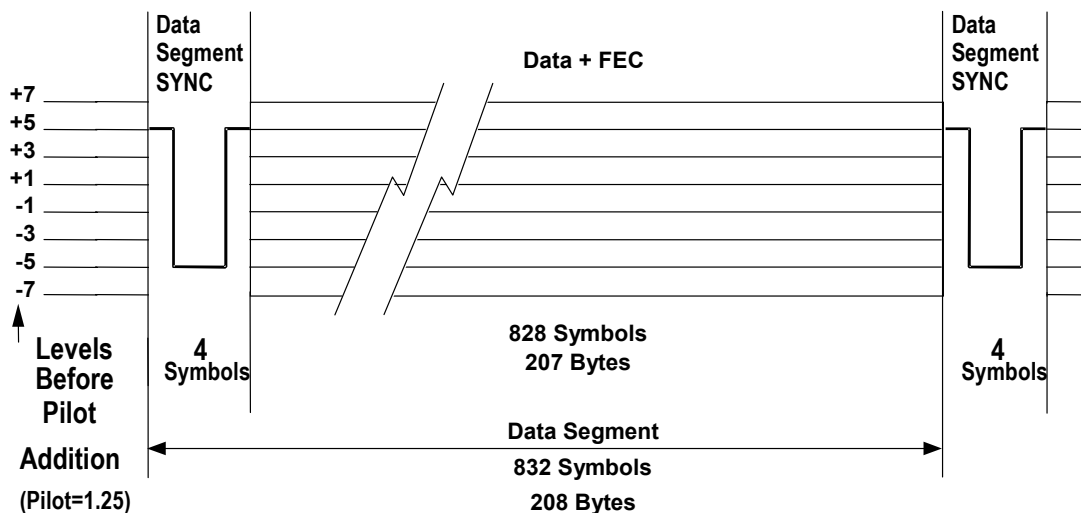
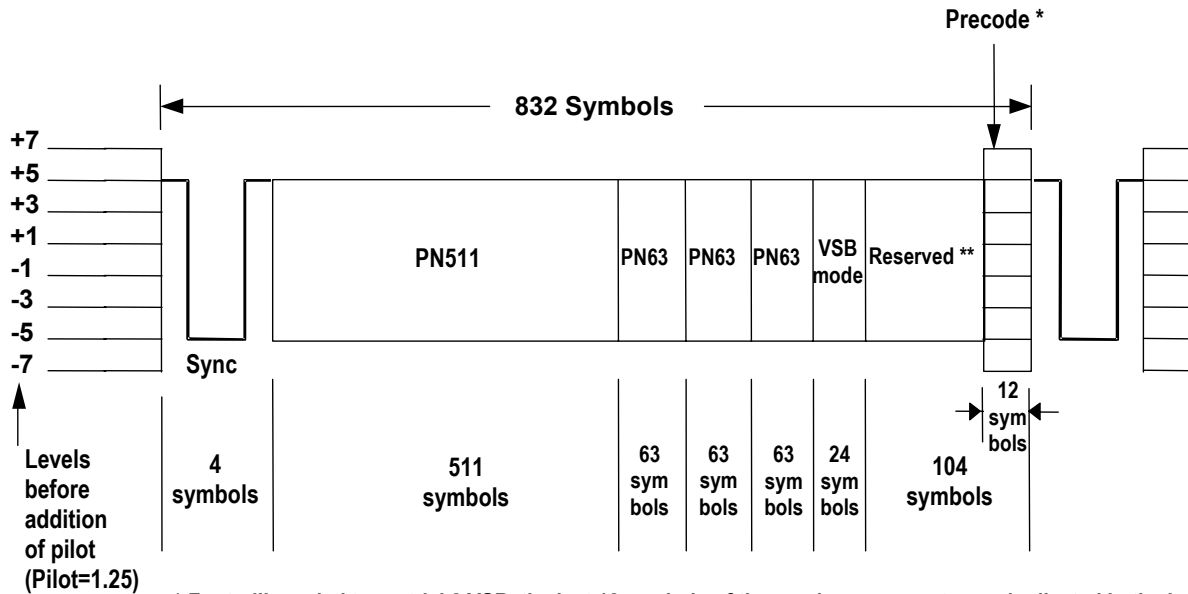


Figure 6.14 8-VSB data segment.

6.5.2 Data Field Sync

The data are not only divided into Data Segments, but also into Data Fields, each consisting of 313 segments. Each Data Field (24.2 ms) shall start with one complete Data Segment of Data Field Sync, as shown in Figure 6.15. Each symbol represents one bit of data (2-level). The arrangement of the 832 symbols in this segment are defined below. Refer to Figure 6.15 for the placement of these components during the data field sync. The sync in Figure 6.15 is the same as the Data Segment Sync and is defined as '1001'.



* For trellis coded terrestrial 8 VSB, the last 12 symbols of the previous segments are duplicated in the last 12 reserved symbols of the field sync.
 ** For enhanced data transmission, the last 10 of the reserved symbols before the 12 precode symbols are defined. The other 82 symbols may be defined for each enhancement, as needed.

Figure 6.15 VSB data field sync.

6.5.2.1 Definition of the PN511 Sequence

This pseudo-random sequence is defined as $X^9 + X^7 + X^6 + X^4 + X^3 + X + 1$ with a pre-load value of '010000000'. The sequence is:

```
'0000 0001 0111 1111 1100 1010 1010 1110 0110 0110 1000 1000 1001 1110 0001 1101
0111 1101 0011 0101 0011 1011 0011 1010 0100 0101 1000 1111 0010 0001 0100 0111
1100 1111 0101 0001 0100 1100 0011 0001 0000 0100 0011 1111 0000 0101 0100 0000
1100 1111 1110 1110 1010 1001 0110 0110 0011 0111 0111 1011 0100 1010 0100 1110
0111 0001 0111 0100 0011 0100 1111 1011 0001 0101 1011 1100 1101 1010 1110 1101
1001 0110 1101 1100 1001 0010 1110 0011 1001 0111 1010 0011 0101 1000 0100 1101
1111 0001 0010 1011 1100 0110 0101 0000 1000 1100 0001 1110 1111 1101 0110 1010
1100 1001 1001 0001 1101 1100 0010 1101 0000 0110 1100 0000 1001 0000 0001 110'
```

6.5.2.2 Definition of the PN63 Sequence

This pseudo-random sequence is repeated three times. It is defined as $X^6 + X + 1$ with a pre-load value of '100111'. The middle PN63 is inverted on every other Data Field Sync. The sequence is:

```
'1110 0100 1011 0111 0110 0110 1010 1111 1100 0001 0000 1100 0101 0011 1101 000'
```

The generators for the PN63 and PN511 sequences are shown in Figure 6.16.

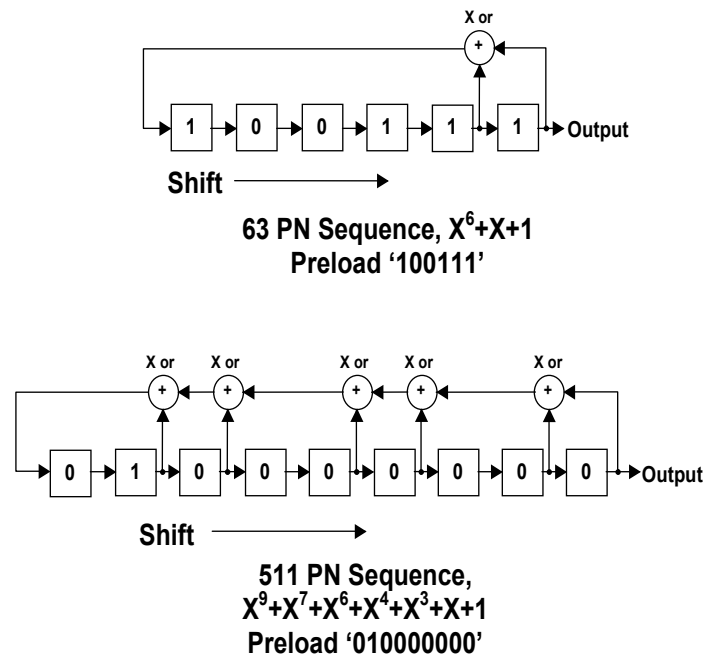


Figure 6.16 Field sync PN sequence generators.

6.5.2.3 VSB Mode Bits

These 24 bits determine the VSB mode for the data in the frame. The first two bytes are reserved. The fill pattern for these two bytes shall be '0000 1111 0000 1111' when 8 VSB is not signaled. The next byte is defined as:

P A B C P A B C

where P is the even parity bit, the MSB of the byte, and A, B, C are the actual mode bits.

P	A	B	C	
0	0	0	0	Reserved
1	0	0	1	Reserved
1	0	1	0	Reserved
0	0	1	1	Reserved
1	1	0	0	16 VSB
0	1	0	1	8 VSB*
0	1	1	0	Reserved
1	1	1	1	Reserved

* In the 8 VSB mode, the preceding bits are defined as:

0 0 0 0 P A B C P A B C 1 1 1 1

6.5.2.4 Reserved

In the 8-VSB mode, 92 symbols of the last 104 symbols shall be reserved, and they shall be followed by the 12 symbols defined below. To maintain a longer period with a flat spectrum, it is recommended that these 92 symbols be filled with a continuation of the PN63 sequence when only 8-VSB is present.

When one or more enhanced data transmission methods are used, the previously reserved symbols (including the 12 precode symbols used for 8-VSB and E8-VSB) shall be numbered from 1 to 104, in the order transmitted. The 12 precode symbols shall be preceded by 10 symbols that shall be used to signal the presence of an enhancement or enhancements, as defined below. The use of some or all of the remaining 82 symbols shall be defined by each enhancement.

6.5.2.5 Precode

In the 8 VSB mode, the last 12 symbols of the segment shall correspond to the last 12 symbols of the previous segment. All sequences are pre-loaded before the beginning of the Data Field Sync.

Like the Data Segment Sync, the Data Field Sync is not Reed-Solomon or trellis encoded, nor is it interleaved.

6.5.2.6 Enhancement Signaling

Symbols 85 through 92 shall be used for indication of specific future enhancements. If no enhancements are present, they may be set equal to -5 on odd data fields (positive PN63 in the preceding structure). If one or more enhancements are present, all symbols except those signaling one or more enhancements shall be set to -5 (positive PN63). The particular symbol that shall be used to signal each enhancement by setting its value to $+5$ (positive PN63) is specified hereinafter for each.

Symbols 83 and 84 are reserved for signaling future alternative definitions of symbols numbered 85 through 92 and shall be set to -5 (positive PN63) unless such alternative definitions are signaled as defined hereinafter.

On even data fields (negative PN63), the polarities of symbols 83 through 92 shall be inverted from those in the odd data field.

6.6 Enhanced Mode Data Rates

The Enhanced mix signaling in the data field sync provides 9 bits for selection of the mixture of Main, one-half rate and one-fourth rate data (512 choices). The tables for rate selection are formulated to provide denser packing at lower Enhanced data rates, to allow use of the minimum Enhanced data required by an application.

The amount of Main, one-half rate and one-fourth rate data present in a data frame shall be as indicated for that frame using one of the values from Table 6.3, which in turn references Tables 6.4a, and 6.4b.

Table 6.3, "Steps Numbers vs. Map Address," indicates an ordinal "Step Number" for each of the one-half rate and one-fourth rate data, corresponding to each 9-bit map address, with each bit labeled with a letter from "A" to "I". The three most significant bits (IHG) are shown in the top row and the six least significant bits (FEDCBA) of the map address are shown in the left column. The "Step Numbers" for the one-half rate data and one-fourth rate data corresponding to

each 9-bit address are found at the intersection of the three-bit column address and the 6-bit row address.

Table 6.4a, “Rate Segments and Payload vs. Step Number – one-half Rate”, indicates the number of data segments used by one-half rate data which shall be used for a given step number (which is referenced from Table 6.3).

Table 6.4b, “Rate Segments and Payload vs. Step Number – one-fourth Rate”, indicates the number of data segments used by one-fourth rate data which shall be used for a given step number (which is referenced from Table 6.3).

Tables 6.4a and 6.4b also include informative columns. These columns show the approximate percent of segments allocated for Enhanced data, the payload of the Main data for the case when the Enhanced data consists of exclusively one-half rate or one-fourth rate data, and the payload of the Enhanced one-fourth or one-half rate data (respectively) for a given step number.

6.6.1 Enhanced Stream Rate Limits

Limits have been defined for the maximum bitrate in the Enhanced (E-VSB) service.

At all times, the quality of video in the main stream shall be equal to or better than the equivalent program in the Enhanced stream. In the event that the programming is different in the main and Enhanced streams, a higher resolution format is deemed to be higher quality.

Additionally, during premium programming times, the maximum bitrate in the enhanced (E-VSB) stream shall be 3 Mbps out of the total 19.4 Mbps channel capacity.

Of the map addresses 0_d to 511_d (notated as IHGFEDCBA in binary in Table 6.3) the decimal values of the only map addresses that shall be used when the 3 Mbps limit applies are: 0-70, 72-77, 80-84, 88-90, 128-132, 136-139, 144-147, 152-154, 160-162, 168, 169, and 176.

Table 6.3 Steps vs. Map Address

IHG→ FEDCBA	000		001		010		011		100		101		110		111	
	½	¼	½	¼	½	¼	½	¼	½	¼	½	¼	½	¼	½	¼
	Step No.		Step No.		Step No.		Step No.		Step No.		Step No.		Step No.		Step No.	
000000	0	0	0	8	8	0	8	8	0	17	17	0	0	25	0	29
000001	1	0	1	8	9	0	9	8	1	16	16	1	1	24	1	28
000010	2	0	2	8	10	0	10	8	2	17	17	2	2	25	3	29
000011	3	0	3	8	11	0	11	8	3	16	16	3	3	24	4	28
000100	4	0	4	8	12	0	12	8	4	17	17	4	4	25	6	29
000101	5	0	5	8	13	0	13	8	5	16	16	5	5	24	7	28
000110	6	0	6	8	14	0	14	8	6	17	17	6	6	25	9	29
000111	7	0	7	8	15	0	15	8	7	16	16	7	7	24	10	28
001000	0	1	0	9	8	1	8	9	8	17	17	8	8	25	12	28
001001	1	1	1	9	9	1	9	9	9	16	16	9	9	24	0	31
001010	2	1	2	9	10	1	10	9	10	17	17	10	10	25	2	30
001011	3	1	3	9	11	1	11	9	11	16	16	11	11	24	5	30
001100	4	1	4	9	12	1	12	9	12	17	17	12	12	25	16	17
001101	5	1	5	9	13	1	13	9	13	16	16	13	13	24	17	18
001110	6	1	6	9	14	1	14	9	14	17	17	14	14	25	16	19
001111	7	1	7	9	15	1	15	9	15	16	16	15	15	24	17	20
010000	0	2	0	10	8	2	8	10	0	19	19	0	0	27	16	21
010001	1	2	1	10	9	2	9	10	1	18	18	1	1	26	17	22
010010	2	2	2	10	10	2	10	10	2	19	19	2	2	27	16	23
010011	3	2	3	10	11	2	11	10	3	18	18	3	3	26	17	24
010100	4	2	4	10	12	2	12	10	4	19	19	4	4	27	16	25
010101	5	2	5	10	13	2	13	10	5	18	18	5	5	26	16	26
010110	6	2	6	10	14	2	14	10	6	19	19	6	6	27	18	19
010111	7	2	7	10	15	2	15	10	7	18	18	7	7	26	19	20
011000	0	3	0	11	8	3	8	11	8	19	19	8	8	27	18	21
011001	1	3	1	11	9	3	9	11	9	18	18	9	9	26	19	22
011010	2	3	2	11	10	3	10	11	10	19	19	10	10	27	18	23
011011	3	3	3	11	11	3	11	11	11	18	18	11	11	26	19	24
011100	4	3	4	11	12	3	12	11	12	19	19	12	12	27	18	25
011101	5	3	5	11	13	3	13	11	13	18	18	13	13	26	20	21
011110	6	3	6	11	14	3	14	11	14	19	19	14	14	27	21	22
011111	7	3	7	11	15	3	15	11	15	18	18	15	15	26	20	23
100000	0	4	0	12	8	4	8	12	0	21	21	0	25	0	29	0
100001	1	4	1	12	9	4	9	12	1	20	20	1	24	1	28	1
100010	2	4	2	12	10	4	10	12	2	21	21	2	25	2	29	3
100011	3	4	3	12	11	4	11	12	3	20	20	3	24	3	28	4
100100	4	4	4	12	12	4	12	12	4	21	21	4	25	4	29	6
100101	5	4	5	12	13	4	13	12	5	20	20	5	24	5	28	7
100110	6	4	6	12	14	4	14	12	6	21	21	6	25	6	29	9
100111	7	4	7	12	15	4	15	12	7	20	20	7	24	7	28	10

101000	0	5	0	13	8	5	8	13	8	21	21	8	25	8	28	12
101001	1	5	1	13	9	5	9	13	9	20	20	9	24	9	31	0
101010	2	5	2	13	10	5	10	13	10	21	21	10	25	10	30	2
101011	3	5	3	13	11	5	11	13	11	20	20	11	24	11	30	5
101100	4	5	4	13	12	5	12	13	12	21	21	12	25	12	17	16
101101	5	5	5	13	13	5	13	13	13	20	20	13	24	13	18	17
101110	6	5	6	13	14	5	14	13	14	21	21	14	25	14	19	16
101111	7	5	7	13	15	5	15	13	15	20	20	15	24	15	20	17
110000	0	6	0	14	8	6	8	14	0	23	23	0	27	0	21	16
110001	1	6	1	14	9	6	9	14	1	22	22	1	26	1	22	17
110010	2	6	2	14	10	6	10	14	2	23	23	2	27	2	23	16
110011	3	6	3	14	11	6	11	14	3	22	22	3	26	3	24	17
110100	4	6	4	14	12	6	12	14	4	23	23	4	27	4	25	16
110101	5	6	5	14	13	6	13	14	5	22	22	5	26	5	26	16
110110	6	6	6	14	14	6	14	14	6	23	23	6	27	6	19	18
110111	7	6	7	14	15	6	15	14	7	22	22	7	26	7	20	19
111000	0	7	0	15	8	7	8	15	8	23	23	8	27	8	21	18
111001	1	7	1	15	9	7	9	15	9	22	22	9	26	9	22	19
111010	2	7	2	15	10	7	10	15	10	23	23	10	27	10	23	18
111011	3	7	3	15	11	7	11	15	11	22	22	11	26	11	24	19
111100	4	7	4	15	12	7	12	15	12	23	23	12	27	12	25	18
111101	5	7	5	15	13	7	13	15	13	22	22	13	26	13	21	20
111110	6	7	6	15	14	7	14	15	14	23	23	14	27	14	22	21
111111	7	7	7	15	15	7	15	15	15	22	22	15	26	15	23	20

Table 6.4a Segments and Payload vs. Step Number- one-half Rate

Step #	Segments Used	Percent of Segments Allocated for Enhanced (informative)	Main Data Rate (Mbps) (informative)	½ rate (Mbps) (informative)
0	0	0	19.3927	0.0000
1	2	0.64	19.2683	0.0542
2	4	1.28	19.144	0.1084
3	6	1.92	19.0197	0.1627
4	8	2.56	18.8954	0.2169
5	12	3.85	18.6468	0.3253
6	16	5.13	18.3982	0.4338
7	20	6.41	18.1495	0.5422
8	24	7.69	17.9009	0.6507
9	28	8.97	17.6523	0.7591
10	32	10.26	17.4037	0.8675
11	40	12.82	16.9064	1.0844
12	48	15.38	16.4092	1.3013
13	56	17.95	15.9119	1.5182
14	64	20.51	15.4147	1.7351
15	72	23.08	14.9174	1.9520
16	80	25.64	14.4202	2.1688
17	88	28.21	13.9229	2.3857
18	96	30.77	13.4257	2.6026
19	112	35.9	12.4312	3.0364
20	128	41.03	11.4367	3.4702
21	144	46.15	10.4422	3.9039
22	160	51.28	9.4477	4.3377
23	176	56.41	8.4532	4.7715
24	192	61.54	7.4587	5.2052
25	208	67.95	6.2156	5.6390
26	224	73.08	5.2211	6.0728
27	240	76.92	4.4752	6.5065
28	256	82.05	3.4807	6.9403
29	272	87.18	2.4862	7.3741
30	288	92.31	1.4917	7.8078
31	312	100	0	8.4585

Table 6.4b Segments and Payload vs. Step Number- one-fourth Rate

Step #	Segments Used	Percent of Segments Allocated for Enhanced (informative)	Main Data Rate (Mbps) (informative)	¼ Rate (Mbps) (informative)
0	0	0.00	19.3927	0.0000
1	4	1.28	19.1440	0.0542
2	8	2.56	18.8954	0.1084
3	12	3.85	18.6468	0.1627
4	16	5.13	18.3982	0.2169
5	20	6.41	18.1495	0.2711
6	24	7.69	17.9009	0.3253
7	28	8.97	17.6523	0.3795
8	32	10.26	17.4037	0.4338
9	36	11.54	17.1550	0.4880
10	40	12.82	16.9064	0.5422
11	44	14.10	16.6578	0.5964
12	52	16.67	16.1605	0.7049
13	60	19.23	15.6633	0.8133
14	68	21.79	15.1661	0.9218
15	76	24.36	14.6688	1.0302
16	84	26.92	14.1716	1.1386
17	92	29.49	13.6743	1.2471
18	100	32.05	13.1771	1.3555
19	116	37.18	12.1826	1.5724
20	132	42.31	11.1881	1.7893
21	148	47.44	10.1936	2.0062
22	164	52.56	9.1991	2.2231
23	180	57.69	8.2046	2.4400
24	196	62.82	7.2101	2.6568
25	212	67.95	6.2156	2.8737
26	228	73.08	5.2211	3.0906
27	244	78.21	4.2266	3.3075
28	260	83.33	3.2321	3.5244
29	276	88.46	2.2376	3.7413
30	292	93.59	1.2431	3.9581
31	312	100.00	0.0000	4.2292

6.7 Enhanced Mode Map Bits

The signaling of the optional modes shall be done using the following bit assignments:

- The 64 two-level symbols in the data field sync immediately following the VSB mode bits shall be used to transmit the E8-VSB Enhanced segment locations during an Enhanced transmission.
- The map data shall indicate one of an allowed selection of possible Enhanced data mixes and segment arrangements, by means of an algorithm or look-up table. The data shall include a frame count indicating the next data frame at which the map will change.

- The map data shall be coded with a Kerdock (64, 12) code.
- The polarity of the Kerdock code word shall be inverted on even (negative PN63) data fields.
- The twelve-bit payload shall contain the current map or the next map.
- In the odd (positive PN63) field, the leftmost 10 bits shall indicate the current map and the rightmost 2 bits shall be the high order bits of the frame count.
- In the even (negative PN63) field the leftmost 10 bits shall indicate the next map and the rightmost 2 bits shall be the low order bits of the frame count.
- Within each frame count bit pair, the higher order bit shall be leftmost.

6.7.1 Map to Frame Count to Frame Association

The map shall change at a maximum frequency of once per 16 data frames.

A data frame shall be defined as an odd (positive PN63) data field followed by an even (negative PN63) data field.

The frame count shall be decremented linearly from 15 to 0 in the frames preceding a map change.

Current map data shall point one frame ahead; i.e., to the second frame following a particular transmission of the current map data.

Next map data shall point 16 frames ahead; i.e. to the 17th frame following a particular transmission of the current map data.

An unchanging map shall be indicated by making the current map and next map equal and holding the frame count at 15 ('1111').

An example of the sequence of map bits during a change is given in the Table 6.5. In this example, the map is changed from map A, which has persisted for some time, to map B, which then persists for some time into the future.

Table 6.5 Map Change Sequence

Frame Number	Frame Count	Map Data		Map Used
		Current Map	Next Map	
-3	15	A	A	A
-2	15	A	A	A
-1	15	A	B	A
0	15	A	B	A
1	14	A	B	A
2	13	A	B	A
3	12	A	B	A
4	11	A	B	A
5	10	A	B	A
6	9	A	B	A
7	8	A	B	A
8	7	A	B	A
9	6	A	B	A
10	5	A	B	A
11	4	A	B	A
12	3	A	B	A
13	2	A	B	A
14	1	A	B	A
15	0	B	B	A
16	15	B	B	B
17	15	B	B	B
18	15	B	B	B

6.7.2 Generation of Length of 64 Kerdock Codeword

The generator polynomial for the 64-bit Kerdock code word shall be

$$g(X) = \sum_{i=0}^{25} g_i X^i$$

where each g_i is an element of the row vector

$$g = \{1\ 1\ 1\ 2\ 0\ 1\ 2\ 2\ 0\ 1\ 0\ 3\ 0\ 3\ 1\ 3\ 3\ 0\ 1\ 3\ 2\ 1\ 2\ 2\ 1\ 3\}$$

with g_0 starting from the left.

The generator matrix shall be the following 6 x 32 matrix,

$$\text{gen_matrix} = \begin{matrix} g_\alpha & g_0 & g_1 \dots & g_{25} & 0 & 0 & 0 & 0 & 0 \\ g_\alpha & 0 & g_0 & g_1 \dots & g_{25} & 0 & 0 & 0 & 0 \\ g_\alpha & 0 & 0 & g_0 & g_1 \dots & g_{25} & 0 & 0 & 0 \\ g_\alpha & 0 & 0 & 0 & g_0 & g_1 \dots & g_{25} & 0_0 & \\ g_\alpha & 0 & 0 & 0 & 0 & g_0 & g_1 \dots & g_{25} & 0 \\ g_\alpha & 0 & 0 & 0 & 0 & 0 & g_0 & g_1 \dots & g_{25} \end{matrix}$$

$$\text{where } g_{\alpha} = -\sum_{i=0}^{25} g_i \pmod{4} = 1.$$

The resulting codeword shall be transmitted leftmost bit first.

6.7.3 Encoding Procedure

The 12 bit word to be encoded must first be transformed to the Z_4 domain word `word_z4` by using the following mapping from bit pairs to modulo 4 digits.

$$\begin{aligned} \text{'00'} &\rightarrow 0 \\ \text{'01'} &\rightarrow 1 \\ \text{'11'} &\rightarrow 2 \\ \text{'10'} &\rightarrow 3 \end{aligned}$$

After mapping to the Z_4 domain the word to be encoded is multiplied by the generator matrix.

$$\text{codeword_z4} = [\text{word_z4} \times \text{gen_matrix}]$$

where `word_z4` and `codeword_z4` are row vectors.

Arithmetic operations are modulo 4.

The codeword is then converted back to binary using the following mapping.

$$\begin{aligned} 0 &\rightarrow \text{'00'} \\ 1 &\rightarrow \text{'01'} \\ 2 &\rightarrow \text{'11'} \\ 3 &\rightarrow \text{'10'} \end{aligned}$$

Example:

Word to be encoded = '0 0 0 1 1 1 1 0 0 0 0 1.'

Convert word to Z_4 domain.

$$\text{word_z4} = 0 \ 1 \ 2 \ 3 \ 0 \ 1$$

Multiply `word_z4` by the generator matrix.

$$\begin{aligned} \text{codeword_z4} &= [\text{word_z4} \times \text{gen_matrix}] \\ &= 30132300132000213102302230103313 \end{aligned}$$

Convert codeword into binary.

$$\text{codeword} = \text{'1000011011100000011011000000110110010011100011111000010010100110'}$$

6.8 Enhanced Data Packing Structure

There are two options for distributing the Enhanced packets within the normal packets. Option 1 defines a distribution of the Enhanced packets, in packet number index, which are multiples of 4 segments. Option 2 defines a uniform distribution of the Enhanced packets within the normal packet frame. Option 1 optimizes carrier to noise ratio performance. Option 2 optimizes performance in the presence of dynamic multipath.

The 10th bit of the 12-bit E-VSB map shall decide which packing structure is to be used in the VSB frame. When the bit is set to '0', the packing shall refer to and be per packing option 1 defined below. When the bit is set to '1', the packing shall refer to and be per packing option 2 defined below.

6.8.1 Placement of Enhanced Mode Packets

Let $2P$ be the total number of Enhanced packets transmitted in a VSB frame, where $0 \leq P \leq 156$. Let the index s of the Enhanced packets inserted in the normal VSB frame be an integer between 0 and 311, Inclusive.

Option 1

The set *EMAP* of E8-VSB segment positions s shall be:

For $0 \leq P \leq 39$

$EMAP = \{s \mid s = 4i, i = 0, 1, \dots, 2P-1\}, (0 \leq s \leq 311)$

For $40 \leq P \leq 78$

$EMAP = \{s \mid s = 4i, i = 0, 1, \dots, 77\} \cup \{s \mid s = 4i+2, i = 0, 1, \dots, 2P-79\}$

For $79 \leq P \leq 117$

$EMAP = \{s \mid s = 4i, i = 0, 1, \dots, 77\}$
 $\cup \{s \mid s = 4i+2, i = 0, 1, \dots, 77\}$
 $\cup \{s \mid s = 4i+1, i = 0, 1, \dots, 2P-157\}$

For $118 \leq P \leq 156$:

$EMAP = \{s \mid s = 4i, i = 0, 1, \dots, 77\}$
 $\cup \{s \mid s = 4i+2, i = 0, 1, \dots, 77\}$
 $\cup \{s \mid s = 4i+1, i = 0, 1, \dots, 77\}$
 $\cup \{s \mid s = 4i+3, i = 0, 1, \dots, 2P-235\}$

Where \cup is the union of sets, and $\{s \mid s = \dots \text{criteria} \dots\}$ is the set of segment positions s that meet the stated criteria.

Option 2

The index s shall be calculated by the following algorithm written in pseudo-code.

$M = \text{round}(156/P);$

```
for k=0:2P-1
    s=k*M;
    if (s>=312)
        s=mod(s, 312)+1;
    end if
end for
```

The function `round()` means “round up to the next integer value.” The function `mod()` represents the operation modulo. For example, in case of $P=6$, the segment positions are given by $s=(0, 26, 52, 78, 104, 130, 156, 182, 208, 234, 260, 286)$.

6.8.2 Packing of Enhanced Mode Data Within Packets

The Enhanced Reed-Solomon encoding block shall be 184 bytes long, of which 20 bytes are parity. Refer to Table 6.2.

For the case of a one-half rate Enhanced code, the Enhanced coder outputs 2 bits for each input bit, and Enhanced mode data shall be packed as one Enhanced Reed-Solomon block to a pair of data segments (1 bit per symbol).

For the case of a one-fourth rate Enhanced code, the Enhanced coder outputs 4 bits for each input bit, and Enhanced mode data shall be packed as one Enhanced Reed-Solomon block for every 4 data segments (one-half bit per symbol).

The packing of Enhanced mode Reed-Solomon blocks into data segments is shown in Table 6.6.

Note: All below are shown conceptually pre-interleave; the interleaving process will disperse the data in the transmitted output).

Table 6.6 Enhanced Data Encapsulation

For ½ Rate Outer Code			
tx hdr (12 symbols) 3 bytes	E8-VSB data (736 symbols) Payload 92 bytes		Main RS parity (80 symbols) 20 Bytes
tx hdr (12 symbols) 3 bytes	E8-VSB data (576 symbols) Payload 72 bytes	E8-VSB RS parity (160 symbols) 20 bytes	Main RS parity (80 symbols) 20 bytes
tx hdr (12 symbols) 3 bytes	E8-VSB data (736 symbols) Payload 92 bytes		Main RS parity (80 symbols) 20 bytes
tx hdr (12 symbols) 3 bytes	E8-VSB data (576 symbols) Payload 72 bytes	E8-VSB RS parity (160 symbols) 20 bytes	Main RS parity (80 symbols) 20 bytes
2 bits/symbol	1 bit/symbol		2 bits/symbol
For ¼ Rate Outer Code			
tx hdr (12 symbols) 3 bytes	E8-VSB data (736 symbols) Payload 46 bytes		Main RS parity (80 symbols) 20 bytes
tx hdr (12 symbols) 3 bytes	E8-VSB data (736 symbols) Payload 46 bytes		Main RS parity (80 symbols) 20 bytes
tx hdr (12 symbols) 3 bytes	E8-VSB data (736 symbols) Payload 46 bytes		Main RS parity (80 symbols) 20 bytes
tx hdr (12 symbols) 3 bytes	E8-VSB data (416 symbols) Payload 26 bytes	E8-VSB RS parity (320 symbols) 20 bytes	Main RS parity (80 symbols) 20 bytes
2 bits/symbol	0.5 bit/symbol		2 bits/symbol

6.8.3 E-8VSB Enhancement Signaling

On odd data fields (positive PN63), the presence of E8VSB shall be signaled by setting symbol 92 to level '+5'.

6.9 Modulation

6.9.1 Bit-to-Symbol Mapping

Figure 6.8 shows the mapping of the outputs of the trellis decoder to the nominal signal levels of $(-7, -5, -3, -1, 1, 3, 5, 7)$. As shown in Figure 6.14, the nominal levels of Data Segment Sync and Data Field Sync are -5 and $+5$. The value of 1.25 is added to all these nominal levels after the bit-to-symbol mapping function for the purpose of creating a small pilot carrier.

6.9.2 Pilot Addition

A small in-phase pilot shall be added to the data signal. The frequency of the pilot shall be the same as the suppressed-carrier frequency as shown in Figure 6.4. This may be generated in the following manner. A small (digital) DC level (1.25) shall be added to every symbol (data and sync) of the digital baseband data plus sync signal $(\pm 1, \pm 3, \pm 5, \pm 7)$. The power of the pilot shall be 11.3 dB below the average data signal power.

6.9.3 8 VSB Modulation Method

The VSB modulator receives the 10.76 Msymbols/s, 8-level trellis encoded composite data signal (pilot and sync added). The DTV system performance is based on a linear phase raised cosine Nyquist filter response in the concatenated transmitter and receiver, as shown in Figure 6.17. The system filter response is essentially flat across the entire band, except for the transition regions at each end of the band. Nominally, the roll-off in the transmitter shall have the response of a linear phase root raised cosine filter.

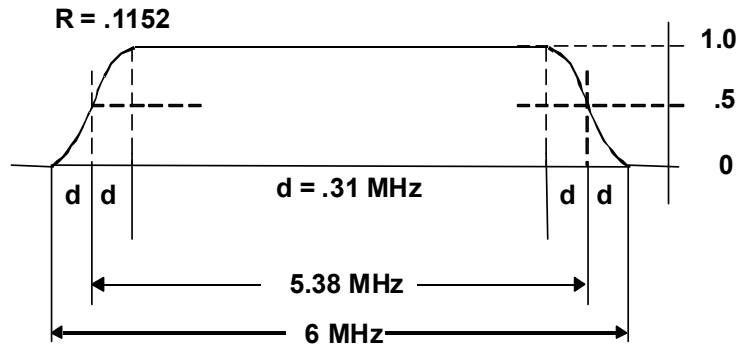


Figure 6.17 Nominal VSB system channel response (linear phase raised cosine Nyquist filter).

7. TRANSMISSION CHARACTERISTICS FOR HIGH DATA RATE MODE

7.1 Overview

The high data rate mode trades off transmission robustness (28.3 dB signal-to-noise threshold) for payload data rate (38.57 Mbps). Most parts of the high data rate mode VSB system are identical or similar to the terrestrial system. A pilot, Data Segment Sync, and Data Field Sync are all used to provide enhanced operation. The pilot in the high data rate mode also is 11.3 dB below the data signal power. The symbol, segment, and field signals and rates are all the same, allowing either receiver to lock up on the other's transmitted signal. Also, the data frame definitions are identical. The primary difference is the number of transmitted levels (8 versus 16) and the use of trellis coding and NTSC interference rejection filtering in the terrestrial system.

The RF spectrum of the high data rate modem transmitter looks identical to the terrestrial system, as illustrated in Figure 6.4. Figure 7.1 illustrates a typical data segment, where the number of data levels is seen to be 16 due to the doubled data rate. Each portion of 828 data symbols represents 187 data bytes and 20 Reed-Solomon bytes followed by a second group of 187 data bytes and 20 Reed-Solomon bytes (before convolutional interleaving).

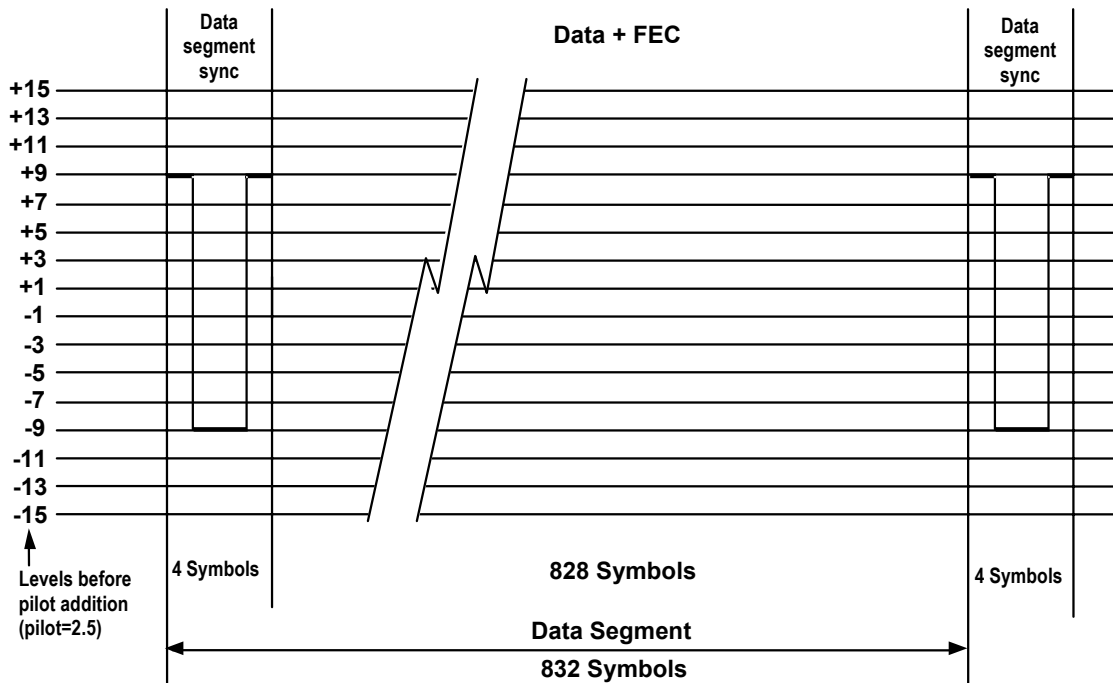


Figure 7.1 16-VSB data segment.

Figure 7.2 shows the block diagram of the transmitter. It is identical to the terrestrial VSB system except the trellis coding shall be replaced with a mapper that converts data to multi-level symbols. See Figure 7.3.

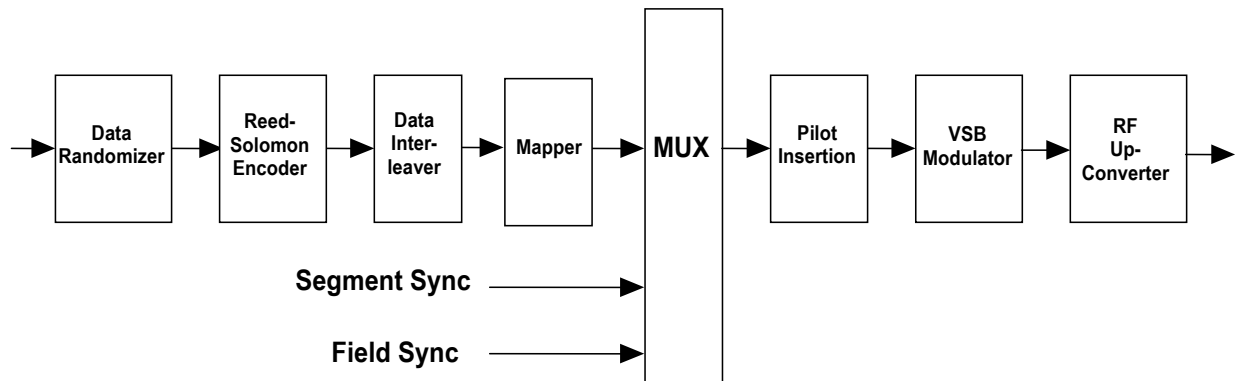


Figure 7.2 16-VSB transmitter.

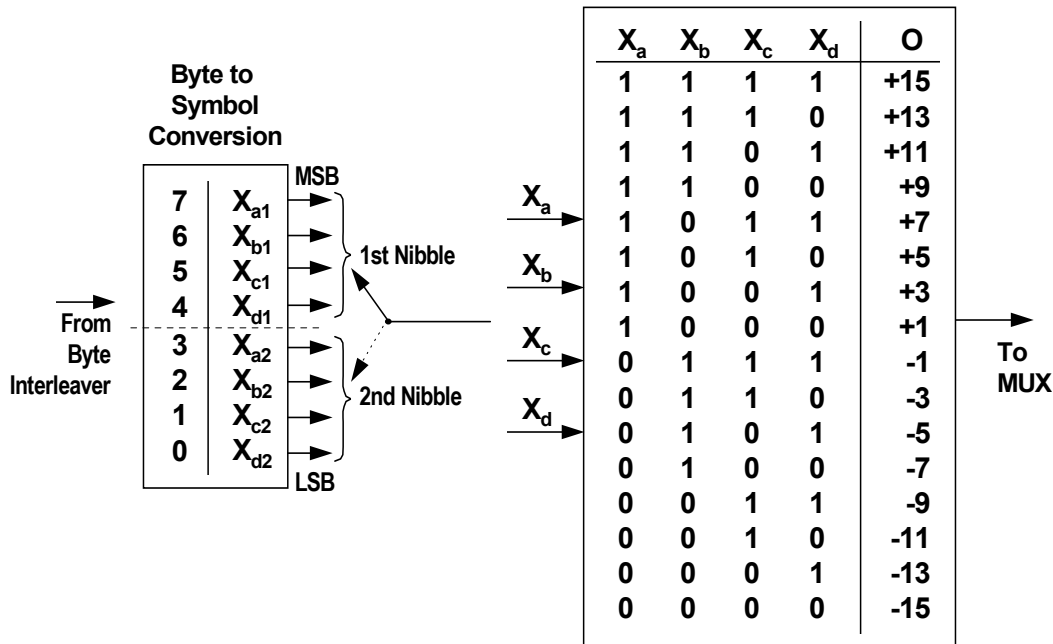


Figure 7.3 16-VSB mapper.

7.2 Channel Error Protection and Synchronization

7.2.1 Data Randomizer

See Section 6.4.1.1.

7.2.2 Reed-Solomon Encoder

See Section 6.4.1.2.

7.2.3 Interleaving

The interleaver shall be a 26 data segment inter-segment convolutional byte interleaver. Interleaving is provided to a depth of about 1/12 of a data field (2 ms deep). Only data bytes shall be interleaved.

7.2.4 Data Segment Sync

See Section 6.5.1.

7.2.5 Data Field Sync

See Section 6.5.2.

7.3 Modulation

7.3.1 Bit-to-Symbol Mapping

Figure 7.3 shows the mapping of the outputs of the interleaver to the nominal signal levels (–15, –13, –11, ..., 11, 13, 15). As shown in Figure 7.1, the nominal levels of Data Segment Sync and Data Field Sync are –9 and +9. The value of 2.5 is added to all these nominal levels after the bit-to-symbol mapping for the purpose of creating a small pilot carrier.

7.3.2 Pilot Addition

A small in-phase pilot shall be added to the data signal. The frequency of the pilot shall be the same as the suppressed-carrier frequency as shown in Figure 6.4. This may be generated in the following manner. A small (digital) DC level (2.5) shall be added to every symbol (data and sync) of the digital baseband data plus sync signal (± 1 , ± 3 , ± 5 , ± 7 , ± 9 , ± 11 , ± 13 , ± 15). The power of the pilot shall be 11.3 dB below the average data signal power.

7.3.3 16 VSB Modulation Method

The modulation method shall be identical to that in Section 6.9.3, except the number of transmitted levels shall be 16 instead of 8.

End of document